



TRIMCO Millwork  
1835 Commerce Ave.  
Boise, ID 83705

Phone: 208-336-9000 • Fax: 208-384-1658  
Toll Free: 1-800-733-0312 • [www.trimcomillwork.com](http://www.trimcomillwork.com)

A Division of Hoff Companies, Inc.

2023 PRODUCT CATALOG



# TABLE OF CONTENTS

<b>BASE MOULDING</b> .....	<b>2-4</b>
<b>CASING MOULDING</b> .....	<b>5-6</b>
<b>CROWN MOULDING</b> .....	<b>7-8</b>
<b>HEADER, CHAIR RAIL, DOOR STOP AND PANEL MOULDING</b> .....	<b>9-10</b>
<b>S4S MOULDING</b> .....	<b>11-12</b>
<b>MISCELLANEOUS MOULDING</b> .....	<b>13-16</b>
<b>MOULDING ACCESSORIES</b> .....	<b>17-27</b>
<b>JAMBS AND FRAMES</b> .....	<b>28</b>
<b>CUSTOM BUILD-UPS</b> .....	<b>29-34</b>
<b>DOORS</b> .....	<b>35</b>
<b>PORCH POSTS</b> .....	<b>36</b>

## *Our Mission...*

To be the first choice supplier for our customer's millwork and finish products needs. Our skilled employees, each with a desire to excel, will provide quality products at competitive prices and deliver superior service to build lasting relationships with customers and vendors.

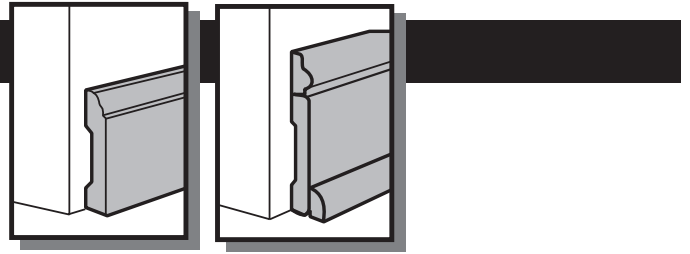


**TRIMCO Millwork**  
1835 Commerce Ave.  
Boise, ID 83705  
[www.trimcomillwork.com](http://www.trimcomillwork.com)

# BASE MOULDING PROFILES

## BASE MOULD

**BASE MOULDINGS:** APPLIED WHERE FLOOR AND WALLS MEET, FORMING A VISUAL FOUNDATION. PROTECTS WALLS FROM KICKS, BUMPS, FURNITURE, ETC. BASE MAY BE REFERRED TO AS ONE, TWO, OR THREE-MEMBER. BASE SHOE AND BASE CAP ARE USED TO CONCEAL UNEVEN FLOOR AND WALL JUNCTIONS.



TM 726 9/16 x 2-1/4 [FJ] 16' [H] RL



TM 735 9/16 x 2-1/4 [FJ] 16'



TM 725 9/16 x 2-1/2 [FJ] 16' [SP] RL



TM 1213 1/2 x 3-1/8 [KA] RL



TM 411 9/16 x 3-1/4 [FJ] 16' [MDF] 16'



TM 433 9/16 x 3-1/4 [FJ] 16' [H] RL [MDF] 16'



TM 444 11/16 x 3-1/4 [FJ] 16' [H] RL [SP] RL [OV] 16' [KA] RL  
 5/8 x 3-1/4 [MDF] 16'  
 1/2 x 3-1/4 [O] RL  
 7/16 x 3-1/4 [M] RL



TM 445 11/16 x 3-1/4 [FJ] 16'



TM 623 9/16 x 3-1/4 [FJ] 16' [H] RL [KA] RL [MDF] 16'  
 1/2 x 3-1/4 [O] RL



TM 683 5/8 x 3-1/4 [FJ] 16'



TM 713 9/16 x 3-1/4 [FJ] 16' [H] RL [SP] RL [O] RL



TM 730 9/16 x 3-1/4 [FJ] 16' [H] RL [MDF] 16'



TM 753 9/16 x 3-1/4 [FJ] 16'



TM 832 5/8 x 3-1/4 [FJ] 16'



TM 852 9/16 x 3-1/4 [FJ] 16'

**Note: Actual Profile Sizes May Vary Depending On Wood Species**

• FJ = Finger Joint • FJP = Finger Joint Primed • H = Hemlock • SP = Solid Pine • KP = Knotty Pine • O = Oak • OV = Oak Veneer • P = Poplar • HK = Hickory • CH = Cherry • PRM = Primed  
 • MDF = Medium Density Fiberboard • MDF-UL = MDF Ultraite • KA = Knotty Alder • CA = Clear Alder • SA = Superior Alder • M = Maple • VGH = Vertical Grain Hemlock • LVL = Laminated Veneer Lumber

# BASE MOULDING PROFILES

## BASE MOULD



TM 003 11/16 x 3-1/2 **KA** RL



TM 620 9/16 x 4-1/4 **FJ** 16'



TM 412 9/16 x 4 -1/2 **FJ** 16' **H** RL **KA** RL  
9/16 x 4 -1/4 **MDF** 16'



TM 640 9/16 x 4-1/2 **FJ** 16'



TM 145 9/16 x 5 **MDF** 16'



TM 1215 1/2 x 5-1/8 **KA** RL



TM 004 11/16 x 5-1/4 **KA** RL



TM 218 9/16 x 5-1/4 **MDF** 16' **KA** RL



TM 603 1/2 x 5-1/4 **MDF** 16'



TM 618 9/16 x 5-1/4 **FJ** 16' **KA** RL **MDF** 16'

**Note: Actual Profile Sizes May Vary Depending On Wood Species**

• FJ = Finger Joint • FJP = Finger Joint Primed • H = Hemlock • SP = Solid Pine • KP = Knotty Pine • O = Oak • OV = Oak Veneer • P = Poplar • HK = Hickory • CH = Cherry • PRM = Primed  
• MDF = Medium Density Fiberboard • MDF-UL = MDF Ultraite • KA = Knotty Alder • CA = Clear Alder • SA = Superior Alder • M = Maple • VGH = Vertical Grain Hemlock • LVL = Laminated Veneer Lumber



# BASE MOULDING PROFILES

## BASE MOULD



TM 929 1/2 x 5-1/2 **MDF** 16'



TM 566 5/8 x 5-1/2 **MDF** 16'



TM 359 1/2 x 5-1/2 **MDF** 16'



TM 677 9/16 x 5-3/4 **MDF** 16'



TM 512 9/16 x 5-7/8 **FJ** 16' **KA** RL **MDF** 16'



TM 680 9/16 x 5-7/8 **MDF** 16'



TM 360 1/2 x 7-1/4 **MDF** 16'



TM 163 9/16 x 7-1/4 **MDF** 16'



TM 366 1/2 x 11-1/4 **MDF** 16'

**Note: Actual Profile Sizes May Vary Depending On Wood Species**

• FJ = Finger Joint • FJP = Finger Joint Primed • H = Hemlock • SP = Solid Pine • KP = Knotty Pine • O = Oak • OV = Oak Veneer • P = Poplar • HK = Hickory • CH = Cherry • PRM = Primed  
• MDF = Medium Density Fiberboard • MDF-UL = MDF Ultraite • KA = Knotty Alder • CA = Clear Alder • SA = Superior Alder • M = Maple • VGH = Vertical Grain Hemlock • LVL = Laminated Veneer Lumber

# CASING MOULDING PROFILES

## CASING

**CASING:** USED TO TRIM INSIDE AND OUTSIDE DOOR AND WINDOW OPENINGS.



TM 306 11/16 x 2-1/4 [H] RL



TM 311 5/8 x 2-1/4 [FJ] 14' & 85" [MDF] 16'



TM 324 1/2 x 2-1/4 [O] RL & 7'



TM 327 11/16 x 2-1/4 [FJ] 14' & 85" [SP] RL



TM 332 11/16 x 2-1/4 [FJ] 14'



TM 346 5/8 x 2-1/4 [FJ] 14'



TM 356 11/16 x 2-1/4 [FJ] 14' [FJP] 14' [H] RL  
[SP] RL [KA] RL  
5/8 x 2-1/4 [MDF] 16' & 7'



TM 356 1/2 x 2-1/4 [O] RL [M] RL



TM 380 11/16 x 2-1/4 [FJ] 85" & 14' [H] RL  
5/8 x 2-1/4 [MDF] 16' & 7'



TM 387 5/8 x 2-1/4 [FJ] 14'



TM 453 11/16 x 2-1/4 [FJ] 14' [H] RL



TM 473 9/16 x 2-1/4 [FJ] 14' [H] RL [MDF] 16' & 7'



TM 1202 5/8 x 2-1/4 [KA] RL



TM 352 5/8 x 2-1/2 [FJ] 16' & 7'

**Note: Actual Profile Sizes May Vary Depending On Wood Species**

• FJ = Finger Joint • FJP = Finger Joint Primed • H = Hemlock • SP = Solid Pine • KP = Knotty Pine • O = Oak • OV = Oak Veneer • P = Poplar • HK = Hickory • CH = Cherry • PRM = Primed  
• MDF = Medium Density Fiberboard • MDF-UL = MDF Ultraite • KA = Knotty Alder • CA = Clear Alder • SA = Superior Alder • M = Maple • VGH = Vertical Grain Hemlock • LVL = Laminated Veneer Lumber



# CASING MOULDING PROFILES

## CASING



TM 245 11/16 x 3 MDF 16'



TM 377 11/16 x 3-1/4 MDF 16'



TM 312 11/16 x 3 FJ 16' H RL  
5/8 x 3 KA RL MDF 16' & 85"



TM 413 11/16 x 3-1/4 MDF 16'



TM 1203 5/8 x 3-1/8 KA RL



TM 302 1/2 x 3-1/2 MDF 16'



TM 001 13/16 x 3-1/2 KA RL



TM 37 9/16 x 3 -1/4 FJ 16'  
11/16 x 3 -1/4 O 8'



TM 931 11/16 x 3-1/2 MDF 17'



TM 353 9/16 x 3-1/4 MDF 16'



TM 374 1-1/8 x 4 KA RL



TM 568 11/16 x 3-1/4 MDF 16'



TM 162 11/16 x 5-1/2 O 90" P 8'

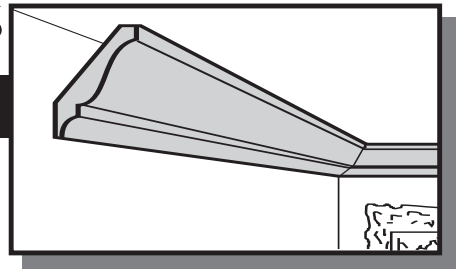
**Note: Actual Profile Sizes May Vary Depending On Wood Species**

• FJ = Finger Joint • FJP = Finger Joint Primed • H = Hemlock • SP = Solid Pine • KP = Knotty Pine • O = Oak • OV = Oak Veneer • P = Poplar • HK = Hickory • CH = Cherry • PRM = Primed  
• MDF = Medium Density Fiberboard • MDF-UL = MDF Ultraite • KA = Knotty Alder • CA = Clear Alder • SA = Superior Alder • M = Maple • VGH = Vertical Grain Hemlock • LVL = Laminated Veneer Lumber

# CROWN MOULDING PROFILES

## CROWNS

**CROWNS:** USED WHERE WALLS & CEILING MEET.  
USED TO COVER LARGE ANGLES. ALWAYS SPRUNG.



TM 52L  
3/4 x 3  
**M** RL



TM 45  
5/8 x 5-1/4  
**MDF** 16'

TM 47  
11/16 x 5-1/4  
**FJ** 16' **KA** RL



TM 48  
9/16 x 4-1/4  
**FJ** 16' **KA** RL  
3/4 x 4-1/4  
**O** RL  
5/8 x 4-1/4  
**MDF** 16'



TM 49  
5/8 x 3-1/4  
**KA** RL  
11/16 x 3-7/16  
**O** RL  
5/8 x 3-5/8  
**MDF** 16'  
9/16 x 3-5/8  
**H** RL



TM 437  
11/16 x 4-3/16  
**MDF** 16'



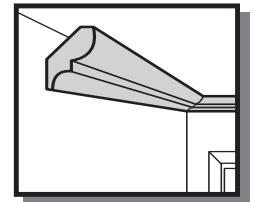
TM 438  
1-3/16 x 5-1/4  
**MDF** 16' **KA** RL

TM 439  
1-3/16 x 7-1/4  
**MDF** 16' **KA** RL

## BED MOULD



TM 74  
9/16 x 1-3/4  
**FJ** 16' **O** RL



**BEDS:** USED WHERE WALLS & CEILING MEET. EITHER SPRUNG OR PLAIN.

**Note: Actual Profile Sizes May Vary Depending On Wood Species**

• FJ = Finger Joint • FJP = Finger Joint Primed • H = Hemlock • SP = Solid Pine • KP = Knotty Pine • O = Oak • OV = Oak Veneer • P = Poplar • HK = Hickory • CH = Cherry • PRM = Primed  
• MDF = Medium Density Fiberboard • MDF-UL = MDF Ultraite • KA = Knotty Alder • CA = Clear Alder • SA = Superior Alder • M = Maple • VGH = Vertical Grain Hemlock • LVL = Laminated Veneer Lumber

**TRIMCO**  
MILLWORK



# CROWN MOULDING PROFILES

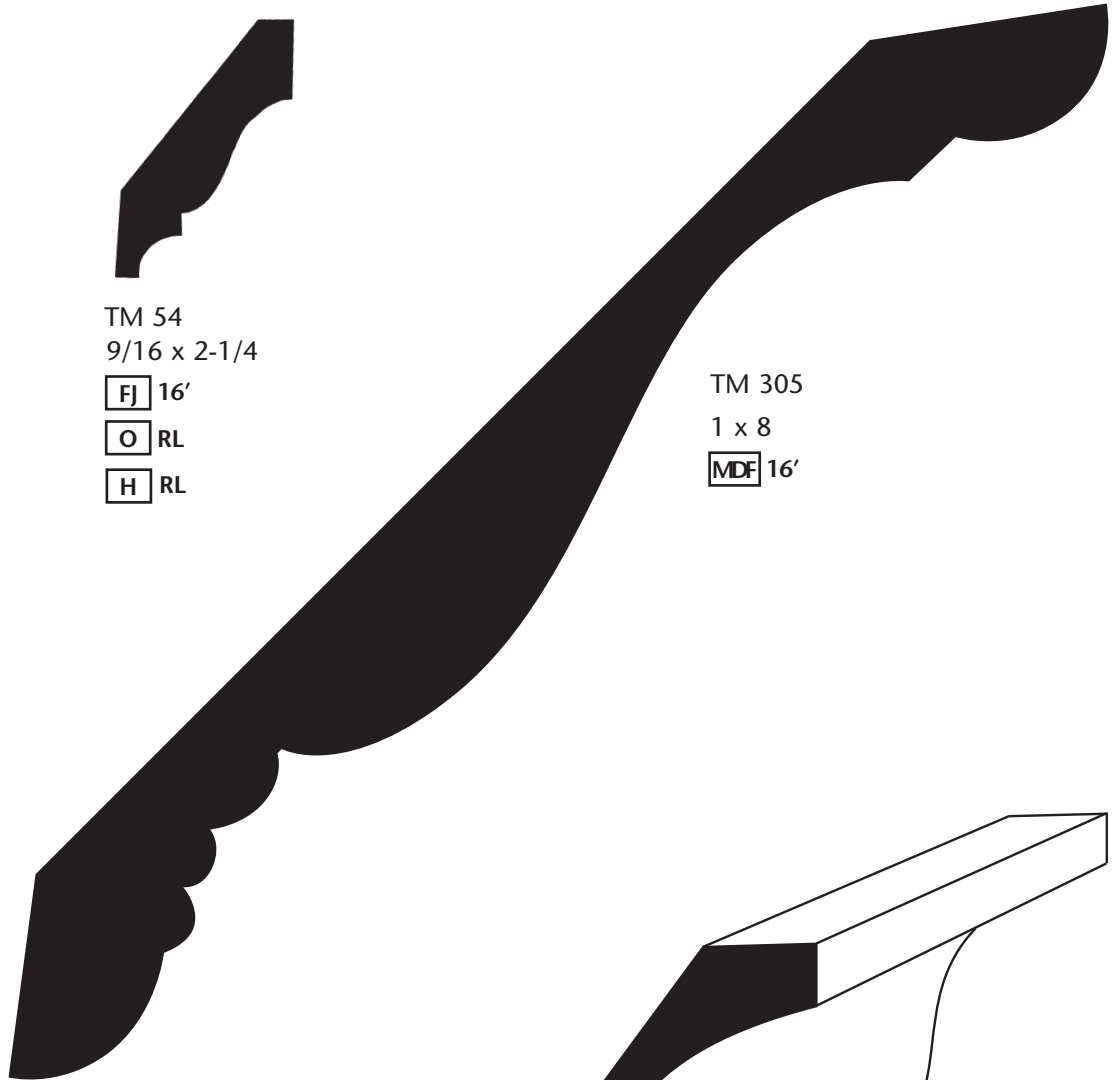
## CROWNS



TM 51  
9/16 x 3 -1/4  
[FJ] 16' [SP] 8'



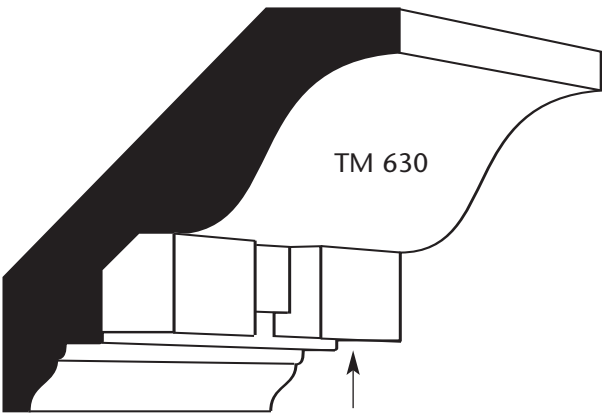
TM 54  
9/16 x 2-1/4  
[FJ] 16'  
[O] RL  
[H] RL



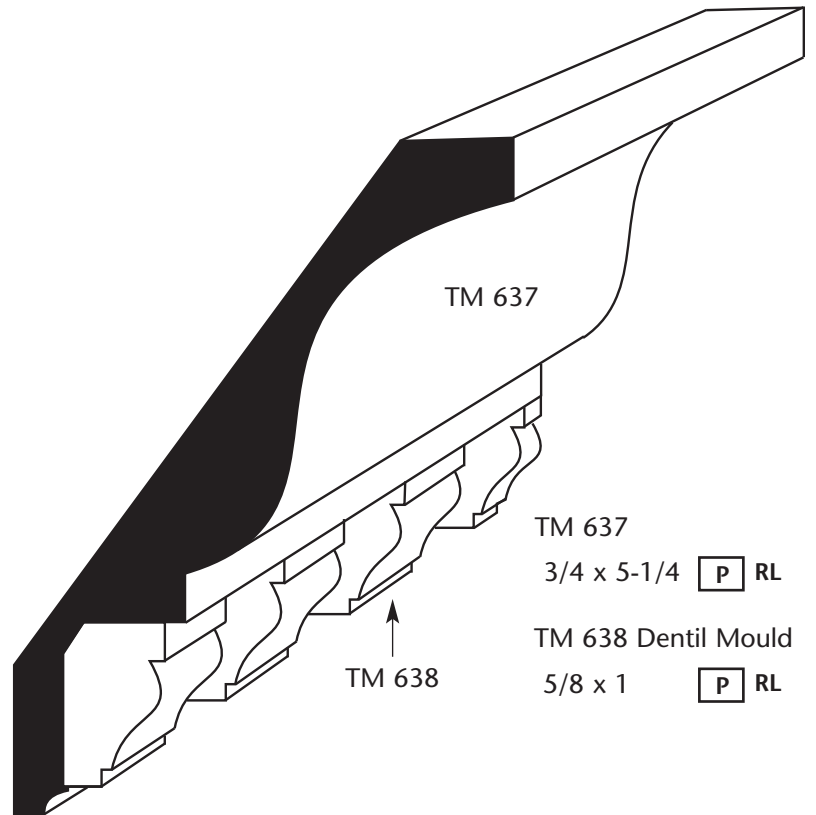
TM 305  
1 x 8  
[MDF] 16'



TM 68  
9/16 x 1-5/8  
[O] RL



TM 630  
3/4 x 3-1/2 [O] RL [P] RL  
TM 631 Dentil Mould  
7/16 x 5/8 [O] RL [P] RL



TM 637  
3/4 x 5-1/4 [P] RL  
TM 638 Dentil Mould  
5/8 x 1 [P] RL

Note: Actual Profile Sizes May Vary Depending On Wood Species

• FJ = Finger Joint • FJP = Finger Joint Primed • H = Hemlock • SP = Solid Pine • KP = Knotty Pine • O = Oak • OV = Oak Veneer • P = Poplar • HK = Hickory • CH = Cherry • PRM = Primed  
• MDF = Medium Density Fiberboard • MDF-UL = MDF Ultraite • KA = Knotty Alder • CA = Clear Alder • SA = Superior Alder • M = Maple • VGH = Vertical Grain Hemlock • LVL = Laminated Veneer Lumber

# HEADER MOULDING PROFILES

## HEADERS



RB 3 1-1/16 x 3-1/2  
**FJ** 16'  
 1 x 3-1/2  
**MDF** 16'



RB 4 1-3/8 x 5-1/4  
**FJ** 16'  
 1-5/16 x 5-1/4  
**KA** RL  
 1-3/16 x 5-1/8  
**MDF** 16'



RB 520 1-3/16 x 4-1/4  
**MDF** 16'



TM 002 1-1/8 x 3-1/2  
**KA** RL



RB 5 1-3/8 x 5-1/4  
**FJ** 16'  
 1-3/16 x 5-1/8  
**MDF** 16'



RB 6 1-1/4 x 4-3/16  
**KA** RL  
 1-1/8 x 4-1/4  
**MDF** 16'



RB 7 1-3/16 x 5-1/4  
**KA** RL  
 1-1/8 x 5-1/4  
**MDF** 16'



RB 8 1-3/16 x 6-1/4  
**KA** RL  
 1-1/8 x 6-1/4  
**MDF** 16'

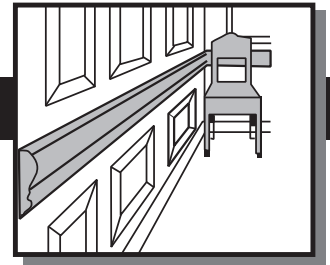
**Note: Actual Profile Sizes May Vary Depending On Wood Species**

• FJ = Finger Joint • FJP = Finger Joint Primed • H = Hemlock • SP = Solid Pine • KP = Knotty Pine • O = Oak • OV = Oak Veneer • P = Poplar • HK = Hickory • CH = Cherry • PRM = Primed  
 • MDF = Medium Density Fiberboard • MDF-UL = MDF Ultraite • KA = Knotty Alder • CA = Clear Alder • SA = Superior Alder • M = Maple • VGH = Vertical Grain Hemlock • LVL = Laminated Veneer Lumber



# CHAIR RAIL PROFILES

## CHAIR RAILS



**CHAIR RAIL:** INTERIOR MOULDING APPLIED ABOUT ONE THIRD UP FROM THE FLOOR, PARALLELING BASE MOULDING AND ENCIRCLING THE ROOM. ORIGINALLY USED TO PREVENT CHAIRS FROM MARRING WALLS. USED TODAY AS A KEY DECORATIVE DETAIL IN TRADITIONAL AND COLONIAL DESIGN.



TM 391 9/16 x 1-3/4 [FJ] 16'



TM 719 3/4 x 2-1/2 [O] RL



TM 390 11/16 x 2-5/8 [FJ] 16' [H] RL  
5/8 x 2-5/8 [MDF] 16'



TM 304 5/8 x 3 [FJ] 16' [KA] RL [MDF] 14'

# DOOR STOP PROFILES

## DOOR STOPS

**DOOR STOPS:** IN DOOR TRIM, STOP IS NAILED TO THE FACES OF THE DOOR FRAME TO PREVENT THE DOOR FROM SWINGING THROUGH. AS WINDOW TRIM, STOP HOLDS THE BOTTOM SASH OF A DOUBLE-HUNG WINDOW IN PLACE. ALSO USED AS AN APRON UNDER WINDOW STOOLS.



TM 817 7/16 x 1-1/4 [FJ] 16' & 7'



TM 877 7/16 x 1-1/4 [FJ] 16' & 7' [FJP] 7'



TM 937 7/16 x 1-1/4 [FJ] 16' & 7' [H] 7'

3/8 x 1-1/4 [O] 7' [KA] RL

3/8 x 1-1/4 [O] 7' [KA] RL

# PANEL MOULDING PROFILES

## PANEL MOULD



TM 135 7/16 x 3/4 [SP] RL



TM 182 11/16 x 1-5/8 [FJ] 16'

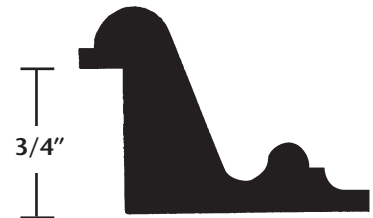


TM 134 11/16 x 1-3/8 [SP] RL



TM 450 13/16 x 1-3/8

[FJ] 16' [O] RL [KA] RL



TM 451 1-1/16 x 1-1/2

[FJ] 16' [O] RL [KA] RL

**Note: Actual Profile Sizes May Vary Depending On Wood Species**

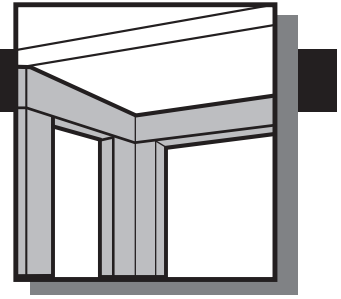
• FJ = Finger Joint • FJP = Finger Joint Primed • H = Hemlock • SP = Solid Pine • KP = Knotty Pine • O = Oak • OV = Oak Veneer • P = Poplar • HK = Hickory • CH = Cherry • PRM = Primed  
• MDF = Medium Density Fiberboard • MDF-UL = MDF Ultraite • KA = Knotty Alder • CA = Clear Alder • SA = Superior Alder • M = Maple • VGH = Vertical Grain Hemlock • LVL = Laminated Veneer Lumber



# S4S STOCK MOULDING PROFILES

## S4S STOCK

SCREEN/S4S STOCK:  
SAME BASIC USES AS SQUARES.



TM 239  
11/16 x 11/16  
**SP** RL



TM 254  
1/2 x 3/4  
**FJ** 16'



TM 249  
11/16 x 1-5/8  
**FJ** 16'  
11/16 x 1-3/4  
**H** RL  
3/4 X 1-1/2  
**O** 16'



S4S 1x2  
3/4 X 1-1/2  
**MDF** 17'  
11/16 X 1-1/2  
**MDF** 16'  
3/4 X 1-5/8  
**KA** RL



S4S 1x3  
11/16 x 2-1/2  
**MDFUL** 16'



S4S 1x3  
11/16 x 2-3/4  
**FJ** 16'



S4S 1x4  
11/16 x 3-1/2  
**FJ** 16' **H** RL **VGH** RL  
3/4 x 3-1/2  
**KA** RL **SA** RL **O** RL  
**MDF** 17'  
11/16 X 3-1/2  
**MDFUL** 16'  
3/4 x 3-1/2  
**P** RL



S4S 1x5  
11/16 x 4-9/16  
**FJ** 16' **H** RL  
3/4 X 4-11/16  
**MDF** 17'  
11/16 x 4-11/16  
**MDFUL** 16'



S4S 1x6  
11/16 x 5-1/4  
**FJ** 16'  
3/4 x 5-1/2  
**KA** RL **SA** RL  
**MDF** 17' **O** RL  
11/16 x 5-1/2  
**MDFUL** 16' **H** RL **VGH** RL  
3/4 x 5-1/2  
**P** RL

Note: Actual Profile Sizes May Vary Depending On Wood Species

• FJ = Finger Joint • FJP = Finger Joint Primed • H = Hemlock • SP = Solid Pine • KP = Knotty Pine • O = Oak • OV = Oak Veneer • P = Poplar • HK = Hickory • CH = Cherry • PRM = Primed  
• MDF = Medium Density Fiberboard • MDFUL = MDF Ultraite • KA = Knotty Alder • CA = Clear Alder • SA = Superior Alder • M = Maple • VGH = Vertical Grain Hemlock • LVL = Laminated Veneer Lumber



# S4S STOCK MOULDING PROFILES

## S4S STOCK

S4S 1x8  
 $11/16 \times 7-1/4$   
**FJ** 16' **H** RL  
**MDFUL** 16' **VGH** RL

S4S 1x12  
 $3/4 \times 7-1/4$   
**KA** RL **O** RL **MDF** 17'  
 $3/4 \times 7-1/4$   
**P** RL

S4S 5/4 x 6  
 $1 \times 5-1/2$   
**SA-E2E** RL  
 $1 \times 5-1/2$   
**KA-E2E** RL  
 $1-1/16 \times 5-1/2$   
**P** RL

4/4 x 4  
 $1 \times 3-1/2$   
**MDF** 16'  
 4/4 x 6  
 $1 \times 5-1/2$   
**MDF** 16'  
 4/4 x 8  
 $1 \times 7-1/4$   
**MDF** 16'

Hook Strip  
 $1/2 \times 3$   
**MDF** 16'

Note: Actual Profile Sizes May Vary Depending On Wood Species

• FJ = Finger Joint • FJP = Finger Joint Primed • H = Hemlock • SP = Solid Pine • KP = Knotty Pine • O = Oak • OV = Oak Veneer • P = Poplar • HK = Hickory • CH = Cherry • PRM = Primed  
 • MDF = Medium Density Fiberboard • MDFUL = MDF Ultraite • KA = Knotty Alder • CA = Clear Alder • SA = Superior Alder • M = Maple • VGH = Vertical Grain Hemlock • LVL = Laminated Veneer Lumber

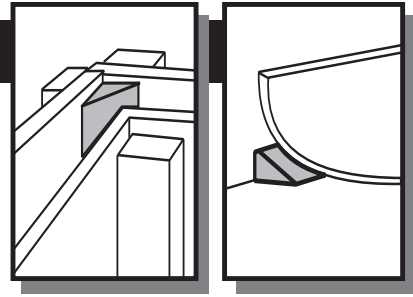


# MISCELLANEOUS MOULDING PROFILES

## CHAMFER STRIP



**CHAMFER STRIP:** USED IN HIGHWAY AND DAM CONSTRUCTION FORMS, MAKING A CHAMFERED EDGE AT CONCRETE CORNERS. ALSO USED WHERE KITCHEN CABINET TOPS MEET THE WALL. ALSO USED AS A LINOLEUM COVE (UNDER LINOLEUM WHERE IT EXTENDS UP THE WALL.)

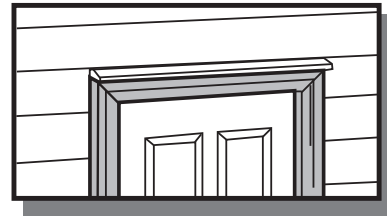


TM 995 11/16 x 11/16 **SP** RL

## BRICK MOULD



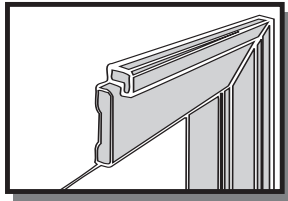
TM 180 1-1/4 x 2 **FJ** 7' **KA** RL  
**FJP** 18' & 7'  
 1-3/16 x 2 **H** RL



**BRICK MOULD:** USED AS AN EXTERIOR DOOR AND WINDOW CASING. A THICK MOULDING PROVIDES A SURFACE FOR BRICK OR OTHER SIDING TO BUTT AGAINST.

## BACK BAND

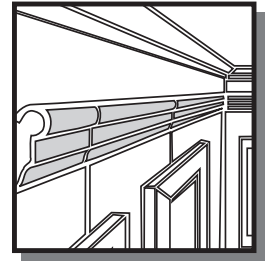
**RABBETED MOULDING. USED TO SURROUND THE OUTSIDE EDGE OF CASING.**



TM 281 11/16 x 1-1/8 **FJ** 16'

## PICTURE MOULD

**USED TO SUPPORT HOOKS FOR PICTURE HANGING**



TM 273 11/16 x 1-3/4 **H** RL

## BASE CAPS



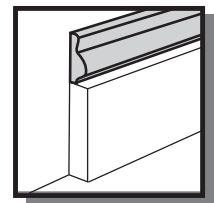
TM 164 11/16 x 1-1/8 **H** RL



TM 167 11/16 x 1-1/8 **FJ** 16'



TM 163 11/16 x 1-3/8 **O** RL



**A DECORATIVE PIECE INSTALLED FLUSH AGAINST WALL AND AT THE TOP OF AN S4S BASEBOARD. ALSO USED AS PANEL MOULDING.**

**Note: Actual Profile Sizes May Vary Depending On Wood Species**

• FJ = Finger Joint • FJP = Finger Joint Primed • H = Hemlock • SP = Solid Pine • KP = Knotty Pine • O = Oak • OV = Oak Veneer • P = Poplar • HK = Hickory • CH = Cherry • PRM = Primed • MDF = Medium Density Fiberboard • MDF-UL = MDF Ultraite • KA = Knotty Alder • CA = Clear Alder • SA = Superior Alder • M = Maple • VGH = Vertical Grain Hemlock • LVL = Laminated Veneer Lumber



# MISCELLANEOUS MOULDING PROFILES

## T-ASTRAGAL



1-3/4" T-Astragal  
TM 1306  
1-3/8 x 3-1/4 [H] 8'  
1-5/8 x 3-1/8 [KA] 8'



1-1/4" T-Astragal  
TM 1307  
1-1/4 x 2-3/8

[KA] 8'



1-3/8" T-Astragal  
TM 1305

1-1/8 x 1-15/16

[KA] 8'

1-1/4 x 2

[FJ] 7' & 8'

[SP] 7'

## COVES



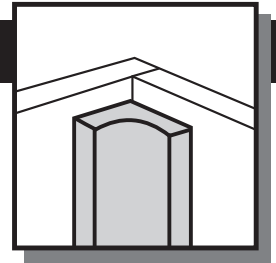
TM 101  
1/2 x 1/2  
[O] 8'



TM 100  
11/16 x 11/16  
[FJ] 7' & 16' [SP] 8'



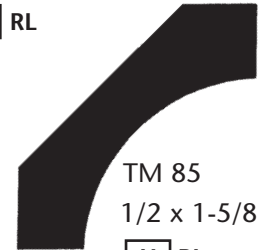
TM 93  
3/4 x 3/4  
[O] 8' [M] RL [KA] RL



SMALL COVES MAY BE USED AS AN INSIDE CORNER GUARD.



TM 95  
11/16 x 7/8  
[FJ] 7' & 16' [H] RL



TM 85  
1/2 x 1-5/8  
[H] RL

## MULL POST



Mull Post  
2 x 4-3/8  
[FJP] 6/8 & 8/0  
[H] 8/0



Mull Post  
2 x 3-9/16  
[FJP] 6/8 & 8/0  
[H] 8/0

## SIDELIGHT STOP

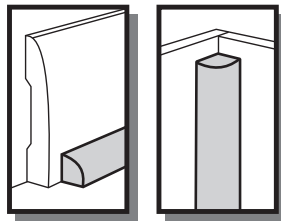


TM 128 5/16 x 3/4 [FJP] 8' [H] 8' [KA] 8'

## QUARTER ROUNDS



TM 108  
1/2 x 1/2  
[FJ] 16' [H] RL  
[O] 8'



QUARTER ROUNDS MAY BE USED AS A BASE SHOE, INSIDE CORNER MOULDING, OR TO COVER ANY 90° RECESSED JUNCTURE.



TM 105  
3/4 x 3/4 [O] 8'

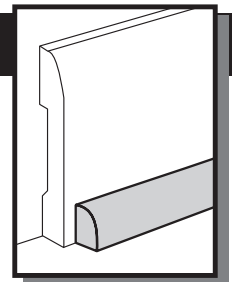


TM 106  
11/16 x 11/16 [FJ] 16' [H] RL [SP] 8'

## BASE SHOES



TM 126  
1/2 x 3/4 [O] 8'



BASE FROM DAMAGE. CONCEALS UNEVEN LINES OR CRACKS WHERE BASE MEETS FLOOR.



TM 129  
7/16 x 11/16 [FJ] 16' [H] RL [SP] 8'

Note: Actual Profile Sizes May Vary Depending On Wood Species

• FJ = Finger Joint • FJP = Finger Joint Primed • H = Hemlock • SP = Solid Pine • KP = Knotty Pine • O = Oak • OV = Oak Veneer • P = Poplar • HK = Hickory • CH = Cherry • PRM = Primed • MDF = Medium Density Fiberboard • MDF-UL = MDF Ultraite • KA = Knotty Alder • CA = Clear Alder • SA = Superior Alder • M = Maple • VGH = Vertical Grain Hemlock • LVL = Laminated Veneer Lumber

# MISCELLANEOUS MOULDING PROFILES

## SHELF EDGE/SCREEN MOULD

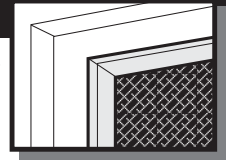


TM 142 5/16 x 3/4 **FJ** 16'  
 1/4 x 3/4 **SP** RL **O** 8'  
**H** RL

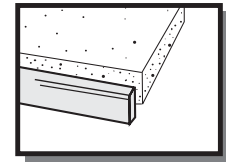


TM 144 1/4 x 3/4 **H** RL

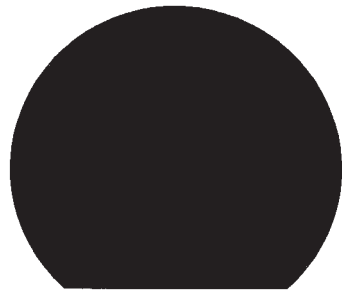
**SCREEN MOULD:** COVERS SEAM WHERE SCREENING IS FASTENED TO THE SCREEN FRAME.



**SHELF EDGE:** ALSO COVERS PARTICLE OR FLAKEBOARD SHELF EDGES.



## HAND RAIL

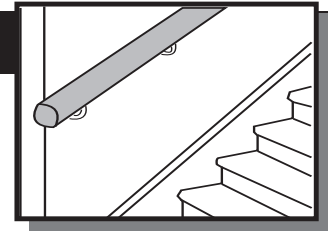


TM 231 1-1/2 x 1-11/16 **H** 16' **PRM** 16' & 18'

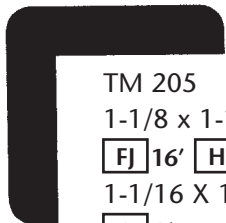


TM 240 1-1/4 x 2-1/4 **H** RL

**HAND RAIL:** USED AS A HAND SUPPORT IN A STAIRWELL.



## CORNER GUARDS

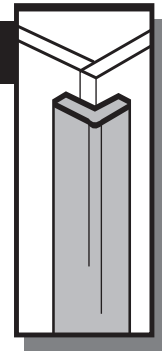


TM 205  
 1-1/8 x 1-1/8  
**FJ** 16' **H** RL **SP** 8'  
 1-1/16 X 1-1/16  
**O** 8'

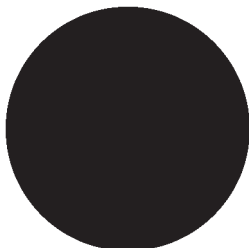


TM 206  
 11/16 x 11/16  
**FJ** 16'  
 3/4 X 3/4  
**O** 8'

**CORNER GUARDS:** OUTSIDE (OS) CORNER GUARD IS USED TO PROTECT CORNERS OR TO COVER RAGGED EDGE WHERE WALL COVERING AND PAINTED SURFACES MEET AT OUTSIDE CORNER.

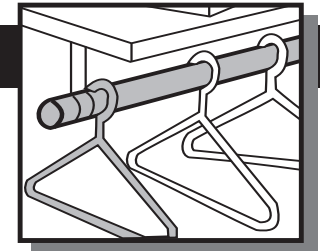


## FULL ROUND



TM 233  
 1-1/4  
**H** RL **LVL** 12' & 16'

**ROUNDS:** MOST OFTEN USED AS A CLOSET POLE OR ROOM DIVIDER.



Note: Actual Profile Sizes May Vary Depending On Wood Species

• FJ = Finger Joint • FJP = Finger Joint Primed • H = Hemlock • SP = Solid Pine • KP = Knotty Pine • O = Oak • OV = Oak Veneer • P = Poplar • HK = Hickory • CH = Cherry • PRM = Primed • MDF = Medium Density Fiberboard • MDF-UL = MDF Ultraite • KA = Knotty Alder • CA = Clear Alder • SA = Superior Alder • M = Maple • VGH = Vertical Grain Hemlock • LVL = Laminated Veneer Lumber



# MISCELLANEOUS MOULDING PROFILES

## CORNER MOULD

Universal Corner Mould used for radius corners.



TM 803  
3/4 x 1-13/16

SP RL

## COUNTER EDGE



TM 435 9/16 x 1-1/2

O RL KA RL CH RL

## LATTICE



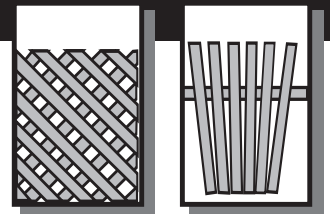
TM 265  
9/32 x 1-3/4  
FJ 16'  
9/32 x 1-5/8  
H RL  
1/4 x 1-3/4  
O 8'



TM 267  
9/32 x 1-3/8  
FJ 16' H RL



TM 268  
9/32 x 1-1/8  
FJ 16' H RL SP RL



**LATTICE:** ORIGINALLY USED IN TRELLIS WORK. THIS SMALL, PLAIN S4S MOULDING IS AMONG THE MOST VERSATILE OF PROFILES.

**Note: Actual Profile Sizes May Vary Depending On Wood Species**

• FJ = Finger Joint • FJP = Finger Joint Primed • H = Hemlock • SP = Solid Pine • KP = Knotty Pine • O = Oak • OV = Oak Veneer • P = Poplar • HK = Hickory • CH = Cherry • PRM = Primed  
• MDF = Medium Density Fiberboard • MDF-UL = MDF Ultraite • KA = Knotty Alder • CA = Clear Alder • SA = Superior Alder • M = Maple • VGH = Vertical Grain Hemlock • LVL = Laminated Veneer Lumber

# MOULDING ACCESSORIES

## SHELVING & SHEET GOODS

### SUPER SHELF

DESCRIPTION	SIZE
#45 Super Shelf — 3/4"	12" X 97"
#45 Super Shelf — 3/4"	12" X 145"
#45 Super Shelf — 3/4"	16" X 97"
#45 Super Shelf — 3/4"	16" X 145"
#45 Super Shelf — 3/4"	24" X 145"

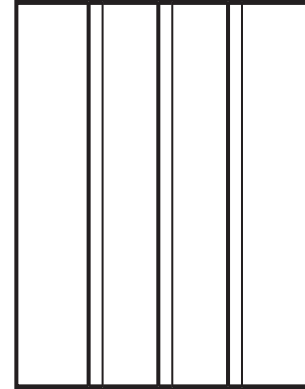
### COUNTERTOP

DESCRIPTION	SIZE
#45 Countertop — 3/4"	25" X 145"

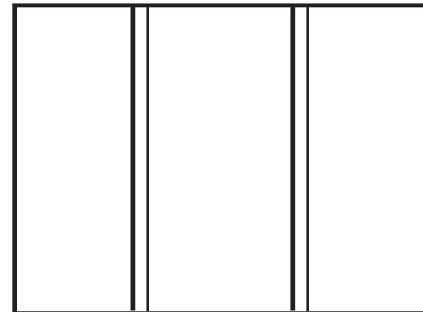
### MDF SHEET STOCK

THICK	SIZE
1/4"	49" x 97"
1/2"	49" x 97"
3/4"	49" x 97"
3/4"	49" x 121"

### BEAD BOARD

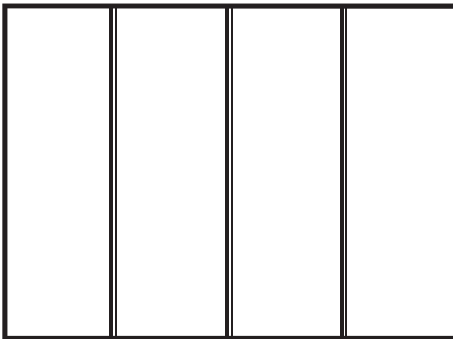


Size	Description	Bead Spacing
3/16" x 4' x 8'	Raw	1-1/2"
3/16" x 4' x 8'	Primed	2"

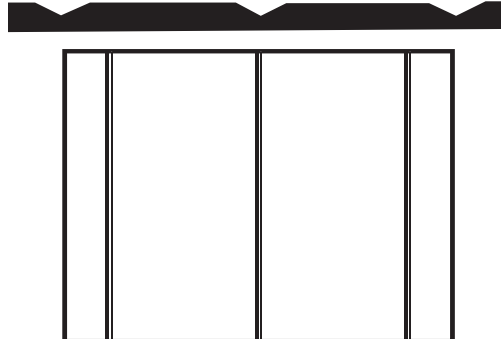


Size	Description	Bead Spacing
3/16" x 4' x 8'	Raw	3"

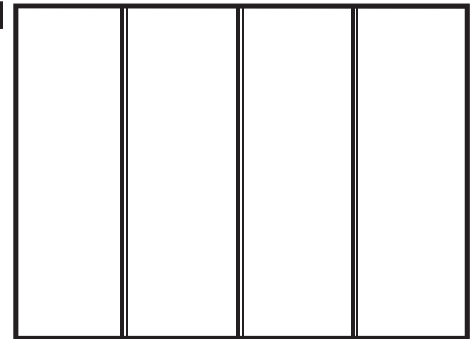
### V - GROOVE



Size	Desc.	Spacing
3/16" x 4' x 8'	Raw	4"



Size	Desc.	Spacing
3/16" x 4' x 8'	Raw	6"



Size	Desc.	Spacing
3/16" x 4' x 8'	Raw	8"

Note: Actual Profile Sizes May Vary Depending On Wood Species

• FJ = Finger Joint • FJP = Finger Joint Primed • H = Hemlock • SP = Solid Pine • KP = Knotty Pine • O = Oak • OV = Oak Veneer • P = Poplar • HK = Hickory • CH = Cherry • PRM = Primed  
 • MDF = Medium Density Fiberboard • MDF-UL = MDF Ultraite • KA = Knotty Alder • CA = Clear Alder • SA = Superior Alder • M = Maple • VGH = Vertical Grain Hemlock • LVL = Laminated Veneer Lumber





# MISCELLANEOUS MOULDING PROFILES

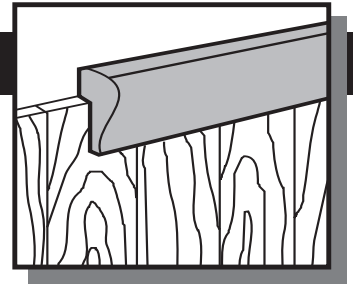
## PANEL CAP



TM 292

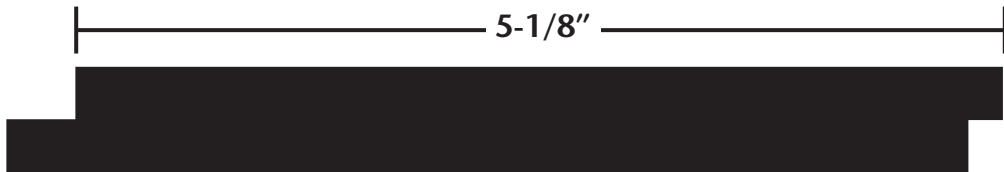
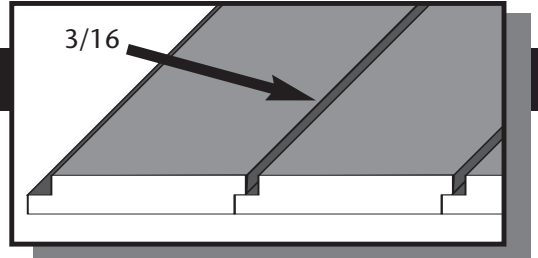
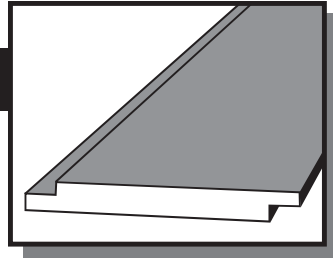
9/16 x 1-1/8 [FJ] 16' [H] RL [SP] 8' [KA] RL

3/4 X 1-1/4 [O] 8'



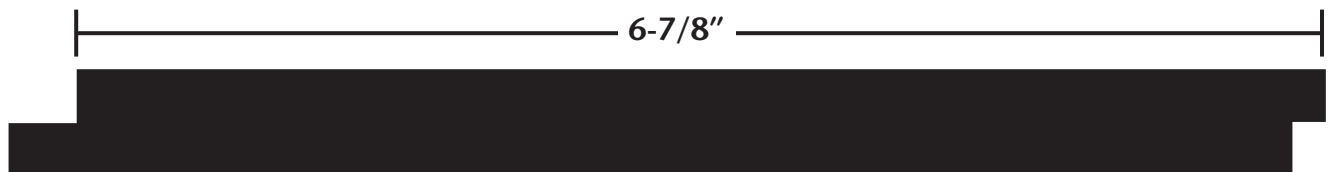
**PANEL/PLY CAP:** TURNS OUT THE UPPER EDGE OR TOP OF A WAINSCOT. COVERS PLYWOOD'S ROUGH SANDWICH EDGE IN INSTALLATIONS WHERE IT IS EXPOSED TO VIEW. ALSO CALLED A DADO CAP.

## SHIPLAP



SL 1X6 5/8 x 5-1/2

[MDF] 16'



SL 1X8 5/8 x 7-1/4

[MDF] 16'

**Note: Actual Profile Sizes May Vary Depending On Wood Species**

• FJ = Finger Joint • FJP = Finger Joint Primed • H = Hemlock • SP = Solid Pine • KP = Knotty Pine • O = Oak • OV = Oak Veneer • P = Poplar • HK = Hickory • CH = Cherry • PRM = Primed  
 • MDF = Medium Density Fiberboard • MDF-UL = MDF UltraLite • KA = Knotty Alder • CA = Clear Alder • SA = Superior Alder • M = Maple • VGH = Vertical Grain Hemlock • LVL = Laminated Veneer Lumber

# MOULDING ACCESSORIES

## FLEXIBLE MOULDING

CALL FOR PRICING

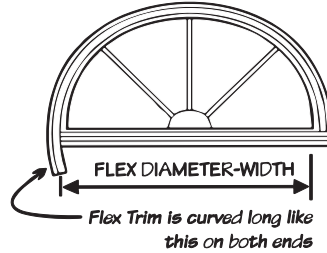
### SPECIAL ORDER

#### How to Determine Flexible Moulding Length

##### HOW TO ORDER: TRUE RADIUS ROUND TOP HALF CIRCLE CASING

To order this type of product simply:

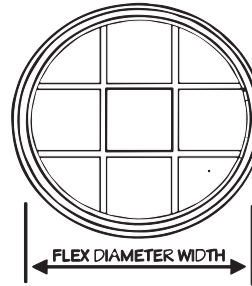
1. Determine diameter dimension (distance across inside width of circle)
  2. Determine radius dimension (half of diameter dimension)
  3. Multiply diameter dimension times 2 to calculate length
  4. Round length up or down to nearest even footage
- Example: diameter  $24 \times 2 = (28") \times 2 = 56"$  round to 5 ft.



##### HOW TO ORDER: TRUE RADIUS FULL CIRCLE CASING

To order this type of product simply:

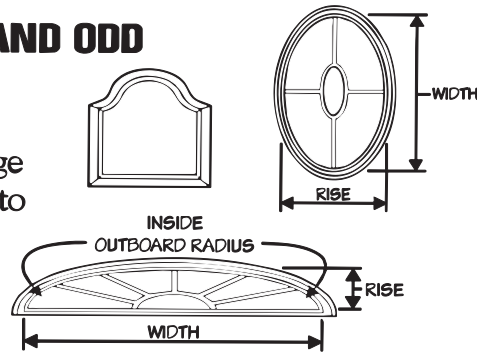
1. Determine diameter dimension (distance across inside width of circle)
  2. Verify that half of the diameter dimension is the radius dimension
  3. Multiply diameter dimension times 4 to calculate length
  4. Round length up or down to nearest even footage
- Example: diameter  $26" \times 4 = 104"$  rounded up to 9 ft.



##### HOW TO ORDER: ELLIPTICAL, OVAL, AND ODD RADIUS CASING

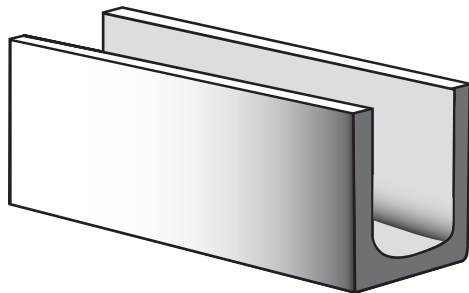
To order this type of product simply:

1. Make a template that fits exact inside radius edge
2. Multiply rise times 3, add width, and round up to nearest even footage length

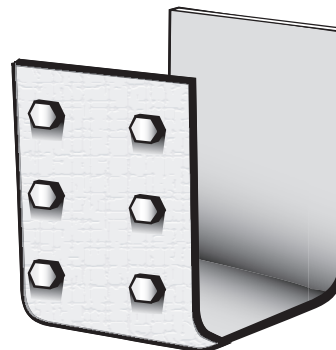


## FYPON ACCESSORIES

### STONE & TIMBER COLLECTION



BEAMS



BEAM STRAP

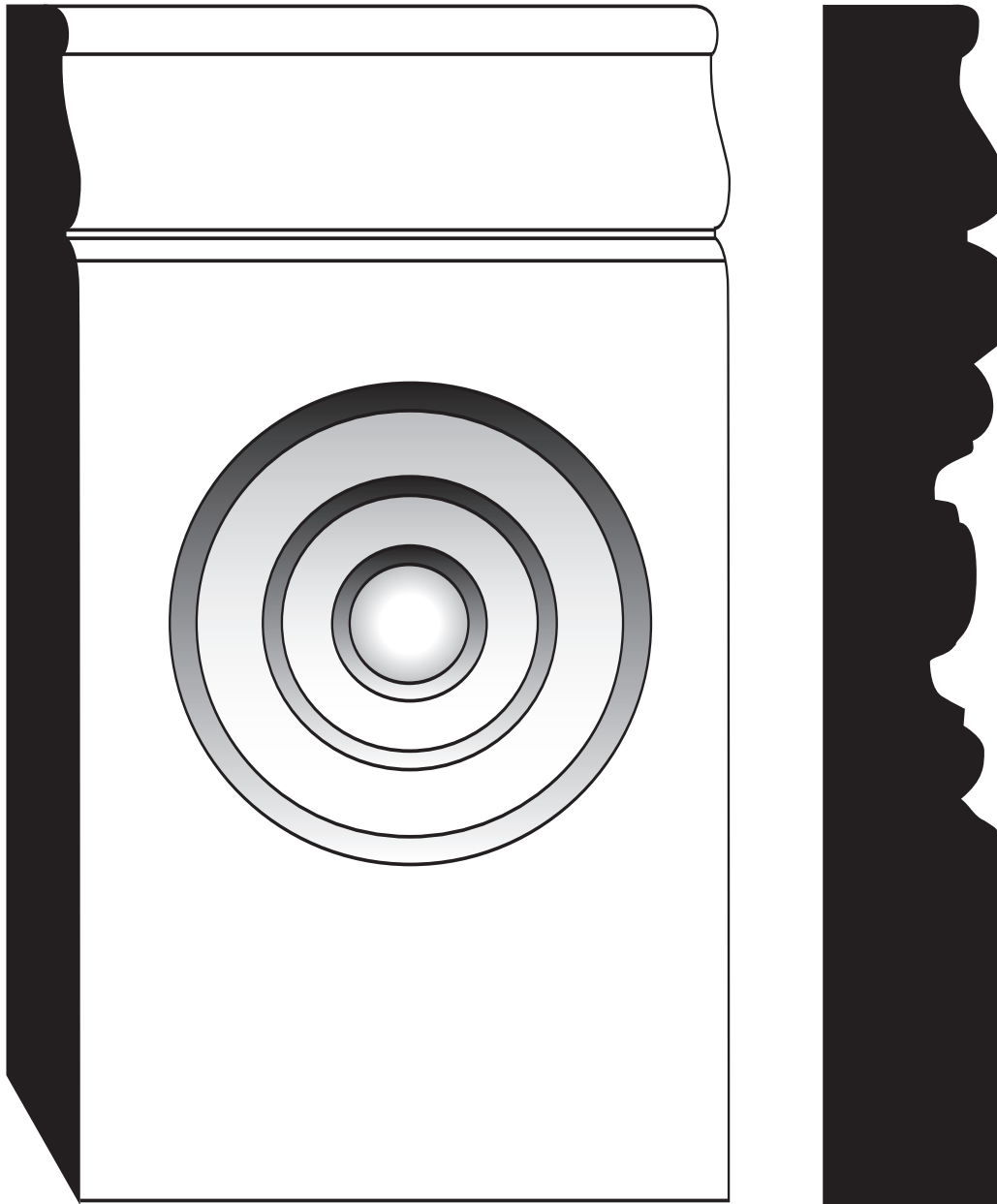
**FYPON**  
It's How You Finish.™

Prices Subject to Change Without Notice.

7/1/2020

# MOULDING ACCESSORIES

## PLINTH BLOCKS BULLSEYE DESIGN



1 x 3-1/2 x 6-1/2

MDF

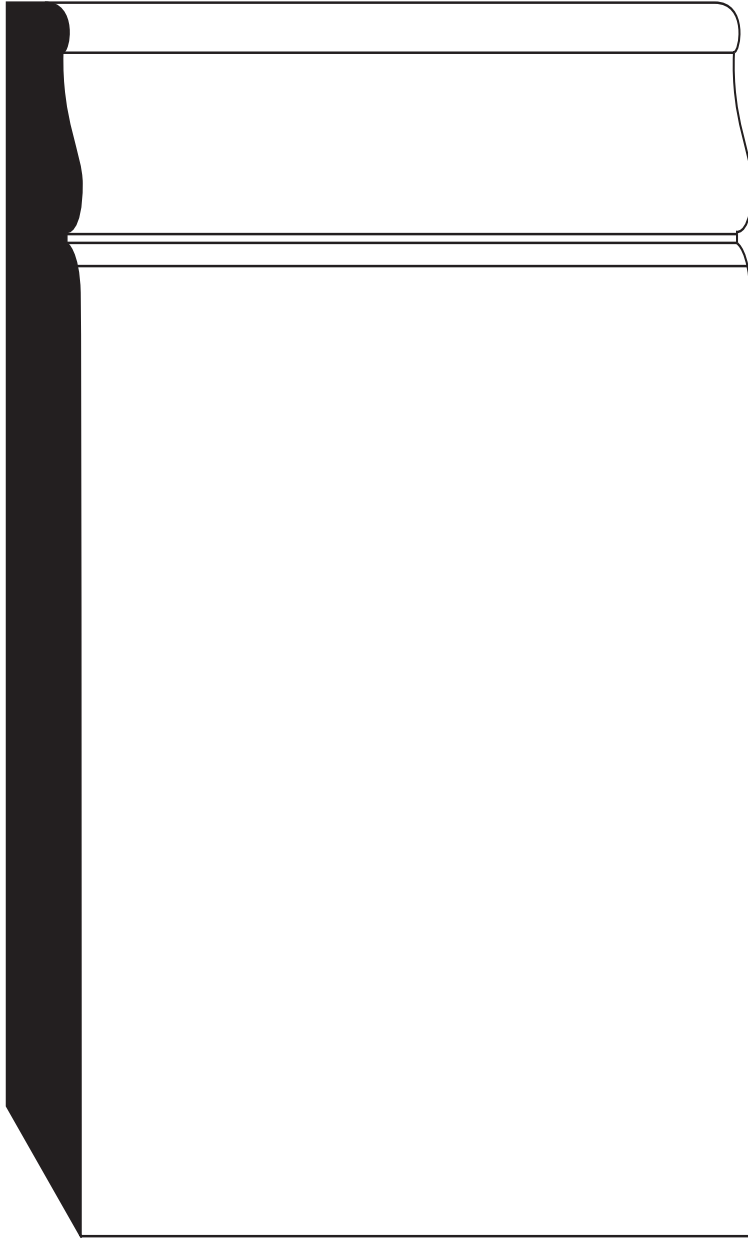
**Note: Actual Profile Sizes May Vary Depending On Wood Species**

• FJ = Finger Joint • FJP = Finger Joint Primed • H = Hemlock • SP = Solid Pine • KP = Knotty Pine • O = Oak • OV = Oak Veneer • P = Poplar • HK = Hickory • CH = Cherry • PRM = Primed  
• MDF = Medium Density Fiberboard • MDF-UL = MDF Ultraite • KA = Knotty Alder • CA = Clear Alder • SA = Superior Alder • M = Maple • VGH = Vertical Grain Hemlock • LVL = Laminated Veneer Lumber

**TRIMCO**  
MILLWORK

# MOULDING ACCESSORIES

## PLINTH BLOCKS



1-1/8 x 6-1/2 x 7'

**MDF** 7'

1-1/8 x 3-1/2 x 6-1/2"

**P** 3-1/2"



1-1/16 x 7-7/8

**KA** RL

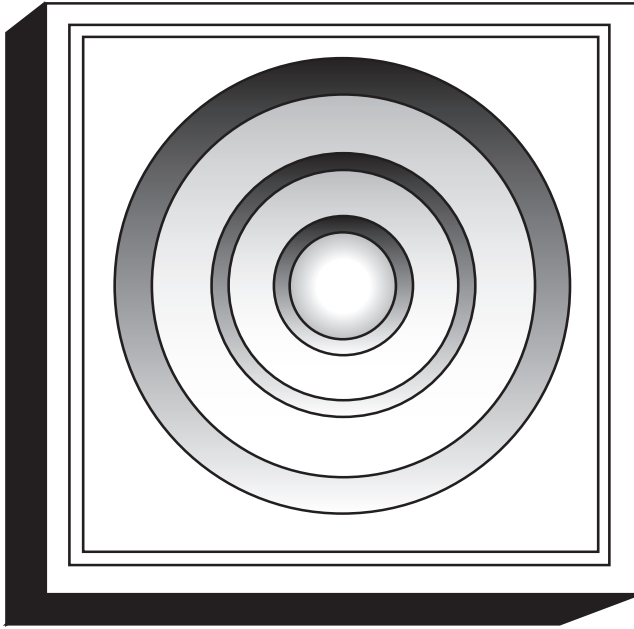
**Note: Actual Profile Sizes May Vary Depending On Wood Species**

• FJ = Finger Joint • FJP = Finger Joint Primed • H = Hemlock • SP = Solid Pine • KP = Knotty Pine • O = Oak • OV = Oak Veneer • P = Poplar • HK = Hickory • CH = Cherry • PRM = Primed  
• MDF = Medium Density Fiberboard • MDF-UL = MDF Ultraite • KA = Knotty Alder • CA = Clear Alder • SA = Superior Alder • M = Maple • VGH = Vertical Grain Hemlock • LVL = Laminated Veneer Lumber

**TRIMCO**  
MILLWORK

# MOULDING ACCESSORIES

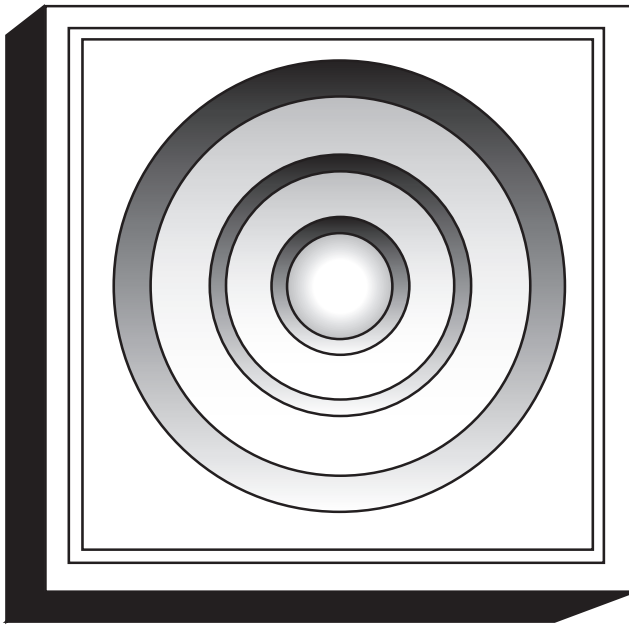
## CORNER BLOCKS BULLSEYE DESIGN



1 x 3-1/2 MDF  
 13/16 x 3-1/2 O M



3/4 x 2-1/2 O M  
 1 x 2-1/2 MDF



7/8 x 3-1/2 SP

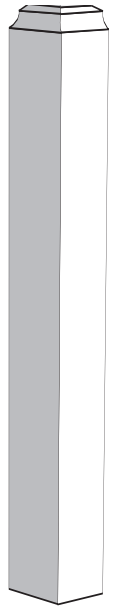
**Note: Actual Profile Sizes May Vary Depending On Wood Species**

• FJ = Finger Joint • FJP = Finger Joint Primed • H = Hemlock • SP = Solid Pine • KP = Knotty Pine • O = Oak • OV = Oak Veneer • P = Poplar • HK = Hickory • CH = Cherry • PRM = Primed  
 • MDF = Medium Density Fiberboard • MDF-UL = MDF Ultraite • KA = Knotty Alder • CA = Clear Alder • SA = Superior Alder • M = Maple • VGH = Vertical Grain Hemlock • LVL = Laminated Veneer Lumber

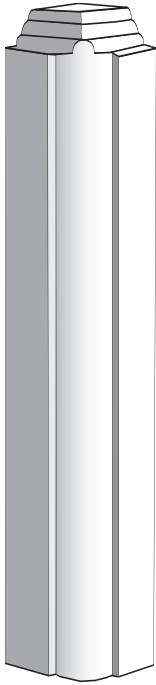


# MOULDING ACCESSORIES

## UNIVERSAL INSIDE CORNER



9-1/4 tall  
MDF



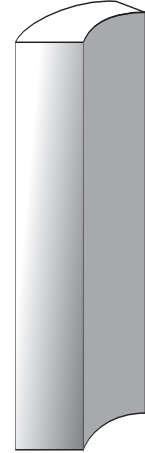
9-1/4 tall  
CA



7-1/4 tall  
H O



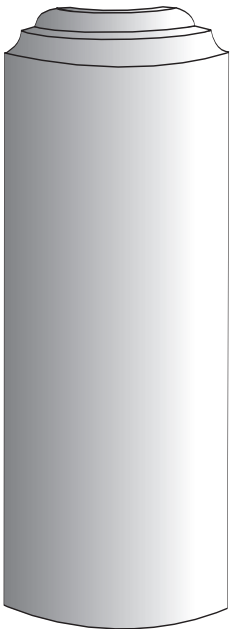
## SR CORNER MOULD



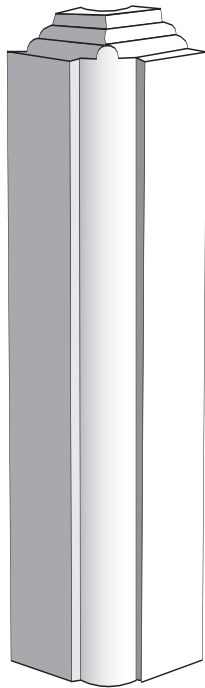
TM 803  
3/4 x 1-13/16  
SP



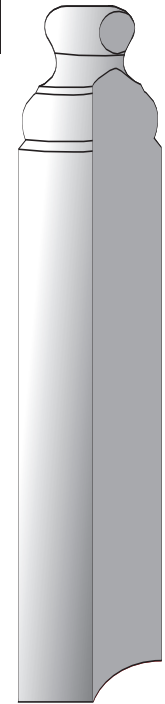
## UNIVERSAL OUTSIDE CORNER



9-1/4 tall  
MDF



9-1/4 tall  
CA



7-1/4 tall  
H O



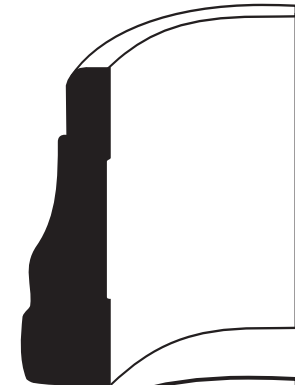
Note: Actual Profile Sizes May Vary Depending On Wood Species

• FJ = Finger Joint • FJP = Finger Joint Primed • H = Hemlock • SP = Solid Pine • KP = Knotty Pine • O = Oak • OV = Oak Veneer • P = Poplar • HK = Hickory • CH = Cherry • PRM = Primed  
• MDF = Medium Density Fiberboard • MDF-UL = MDF Ultraite • KA = Knotty Alder • CA = Clear Alder • SA = Superior Alder • M = Maple • VGH = Vertical Grain Hemlock • LVL = Laminated Veneer Lumber



# MOULDING ACCESSORIES

## RADIUS CORNERS



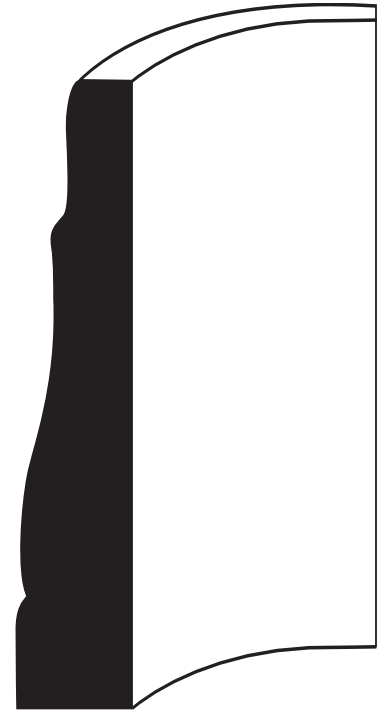
TM 356  
5/8 x 2-1/4 MDF  
11/16 x 2-1/4 H



TM 312 H  
11/16 x 3"



TM 411 H MDF  
9/16 x 3-1/4"



TM 444 11/16 x 3-1/4" H  
5/8 x 3-1/4" MDF



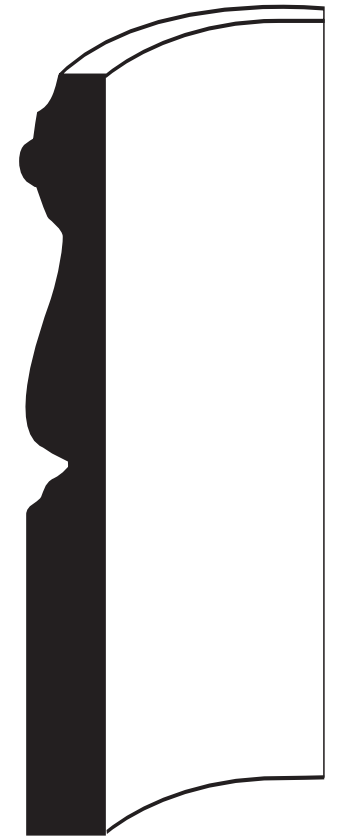
TM 623 H MDF  
9/16 x 3-1/4"



TM 730 H MDF  
9/16 x 3-1/4"



TM 852 H  
9/16 x 3-1/4"



TM 412 9/16 x 4-1/2" H  
9/16 x 4-1/4" MDF

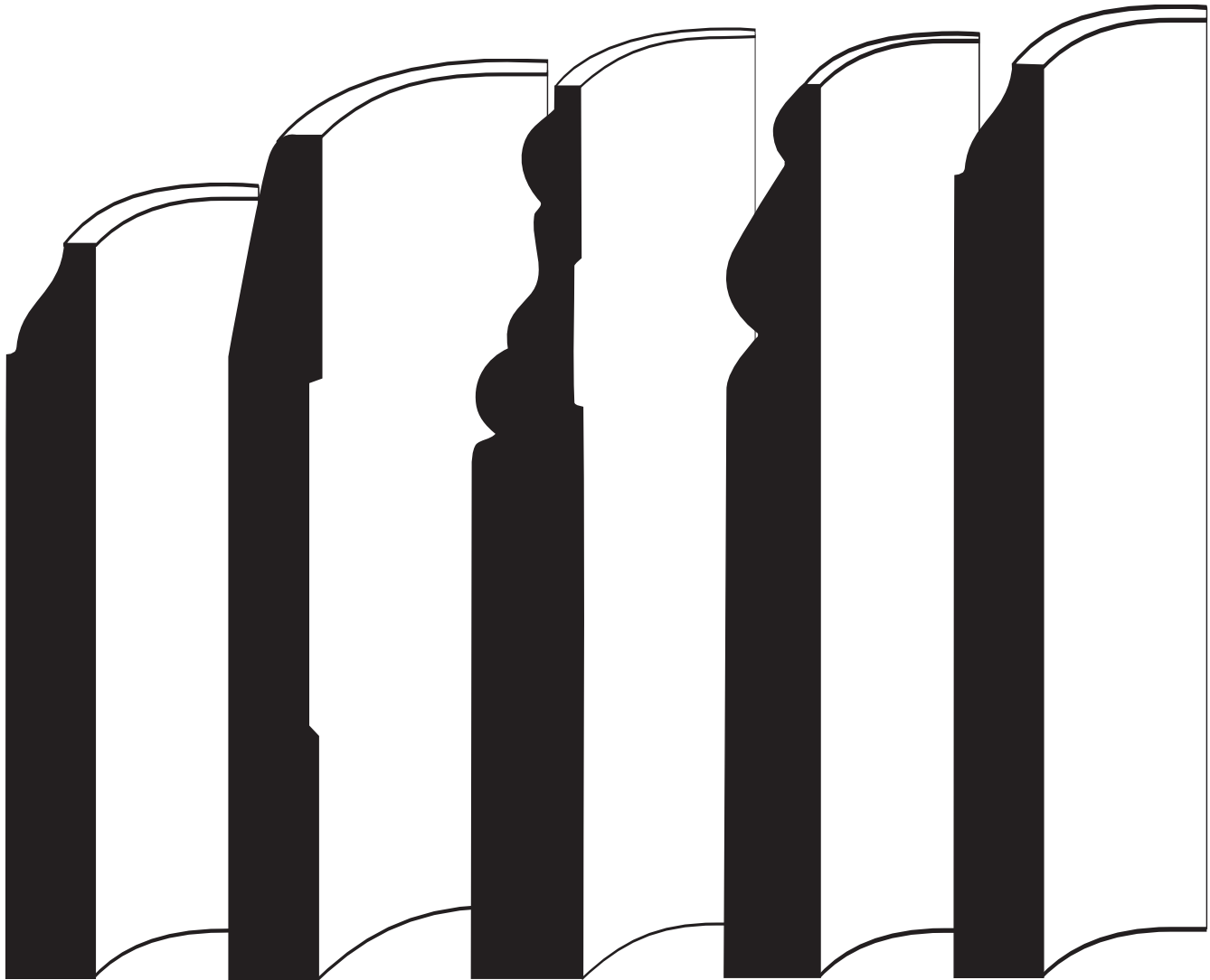
**Note: Actual Profile Sizes May Vary Depending On Wood Species**

• FJ = Finger Joint • FJP = Finger Joint Primed • H = Hemlock • SP = Solid Pine • KP = Knotty Pine • O = Oak • OV = Oak Veneer • P = Poplar • HK = Hickory • CH = Cherry • PRM = Primed  
• MDF = Medium Density Fiberboard • MDF-UL = MDF Ultraite • KA = Knotty Alder • CA = Clear Alder • SA = Superior Alder • M = Maple • VGH = Vertical Grain Hemlock • LVL = Laminated Veneer Lumber



# MOULDING ACCESSORIES

## RADIUS CORNERS



TM 620 H  
9/16 x 4-1/4

TM 145 MDF  
9/16 x 5

TM 55 MDF  
9/16 x 5-1/4

TM 218 MDF  
9/16 x 5-1/4"

TM 618 H MDF  
9/16 x 5-1/4

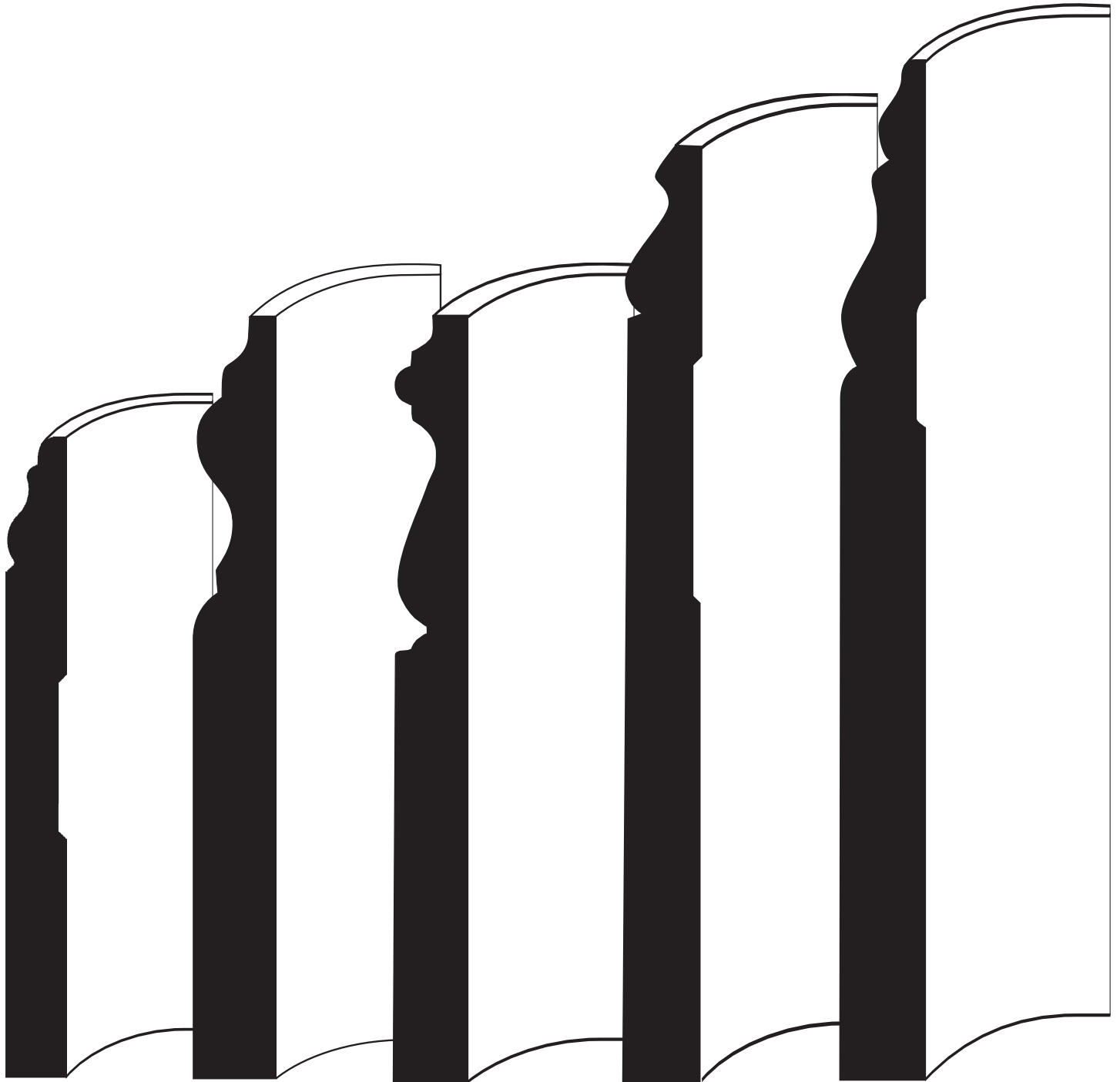
**Note: Actual Profile Sizes May Vary Depending On Wood Species**

• FJ = Finger Joint • FJP = Finger Joint Primed • H = Hemlock • SP = Solid Pine • KP = Knotty Pine • O = Oak • OV = Oak Veneer • P = Poplar • HK = Hickory • CH = Cherry • PRM = Primed  
• MDF = Medium Density Fiberboard • MDF-UL = MDF Ultraite • KA = Knotty Alder • CA = Clear Alder • SA = Superior Alder • M = Maple • VGH = Vertical Grain Hemlock • LVL = Laminated Veneer Lumber



# MOULDING ACCESSORIES

## RADIUS CORNERS



TM 677 **MDF**  
9/16 x 5-3/4

TM 680 **MDF**  
5/8 x 5-7/8

TM 512 **H** **MDF**  
9/16 x 5-7/8

TM 163 **MDF**  
9/16 x 7-1/4

TM 777 **MDF**  
5/8 x 7-7/8

**Note: Actual Profile Sizes May Vary Depending On Wood Species**

• FJ = Finger Joint • FJP = Finger Joint Primed • H = Hemlock • SP = Solid Pine • KP = Knotty Pine • O = Oak • OV = Oak Veneer • P = Poplar • HK = Hickory • CH = Cherry • PRM = Primed  
• MDF = Medium Density Fiberboard • MDF-UL = MDF Ultraite • KA = Knotty Alder • CA = Clear Alder • SA = Superior Alder • M = Maple • VGH = Vertical Grain Hemlock • LVL = Laminated Veneer Lumber

# TRIM-FIT MDF CROWN CORNERS

## PRE-MANUFACTURED CROWN CORNERS



Inside Corner

### EASY INSTALLATION

Measure wall from corner to corner and subtract the appropriate crown dimension listed below from measurement:



Outside Corner

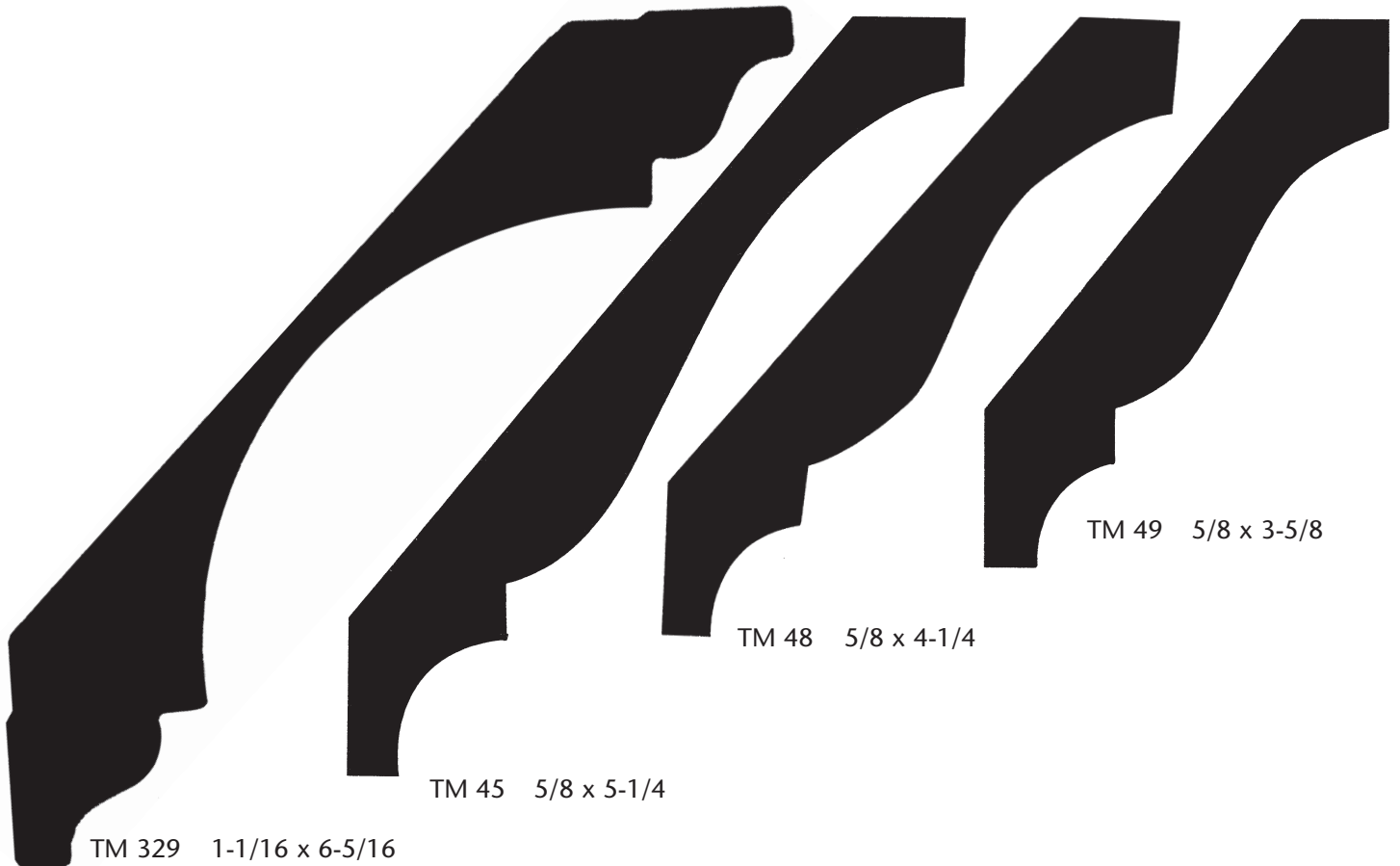


Keystone (Splice Cover)

### CUTBACK FOR EACH

Trim-Fit #	Crown Width	Inside Corner	Outside Corner
TM49	3-5/8"	3"	5/8"
TM48	4-1/4"	3-1/4"	5/8"
TM45	5-1/4"	4"	5/8"
TM329	6-5/16"	5"	5/8"

TRIM-FIT™ Crowns are manufactured to fit the following TRIMCO profiles:



TM 329 1-1/16 x 6-5/16

TM 45 5/8 x 5-1/4

TM 48 5/8 x 4-1/4

TM 49 5/8 x 3-5/8

Note: Actual Profile Sizes May Vary Depending On Wood Species

• FJ = Finger Joint • FJP = Finger Joint Primed • H = Hemlock • SP = Solid Pine • KP = Knotty Pine • O = Oak • OV = Oak Veneer • P = Poplar • HK = Hickory • CH = Cherry • PRM = Primed  
 • MDF = Medium Density Fiberboard • MDF-UL = MDF Ultraite • KA = Knotty Alder • CA = Clear Alder • SA = Superior Alder • M = Maple • VGH = Vertical Grain Hemlock • LVL = Laminated Veneer Lumber



# INTERIOR JAMBS & EXTERIOR FRAMES

## Interior Flat Jamb



## Kerf Flat Jamb



## Exterior Blank



## Exterior SCSK



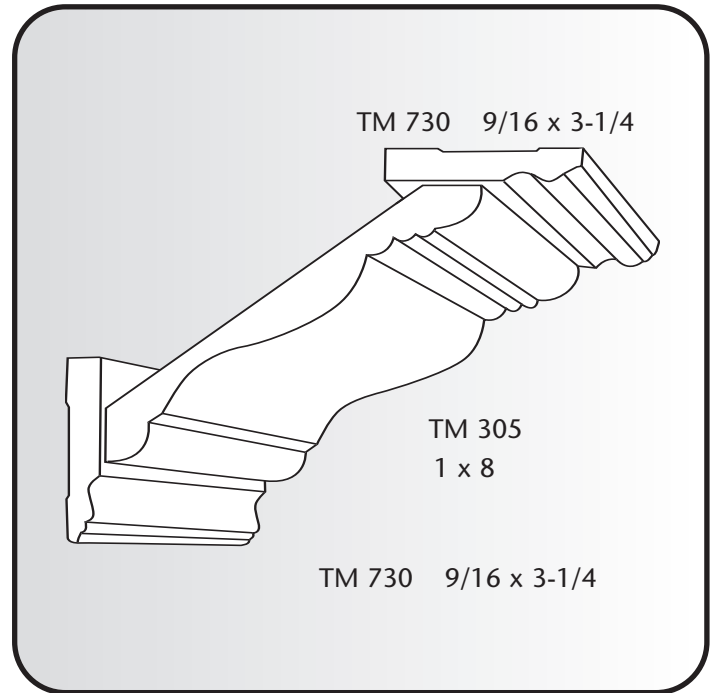
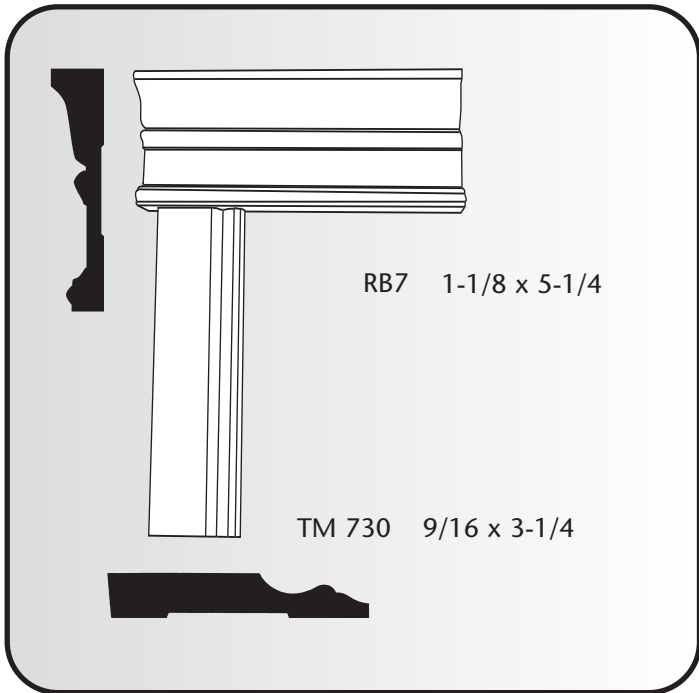
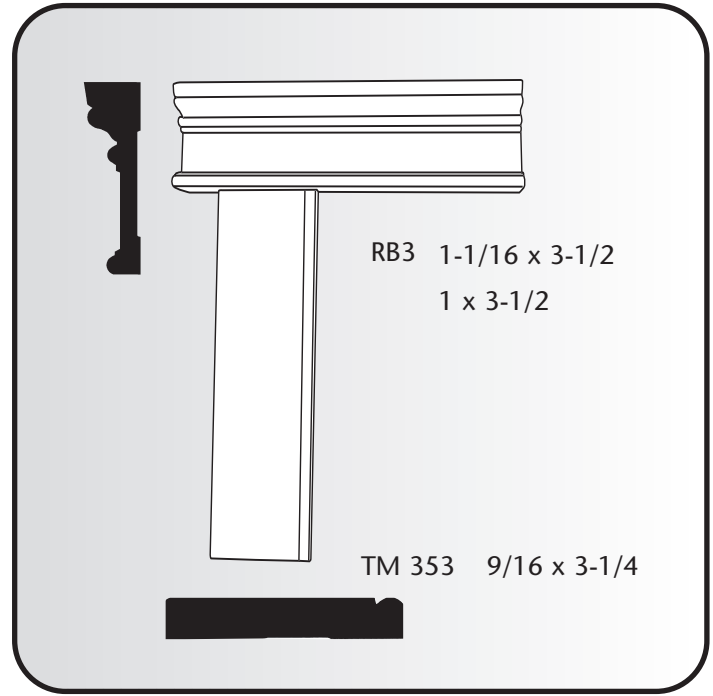
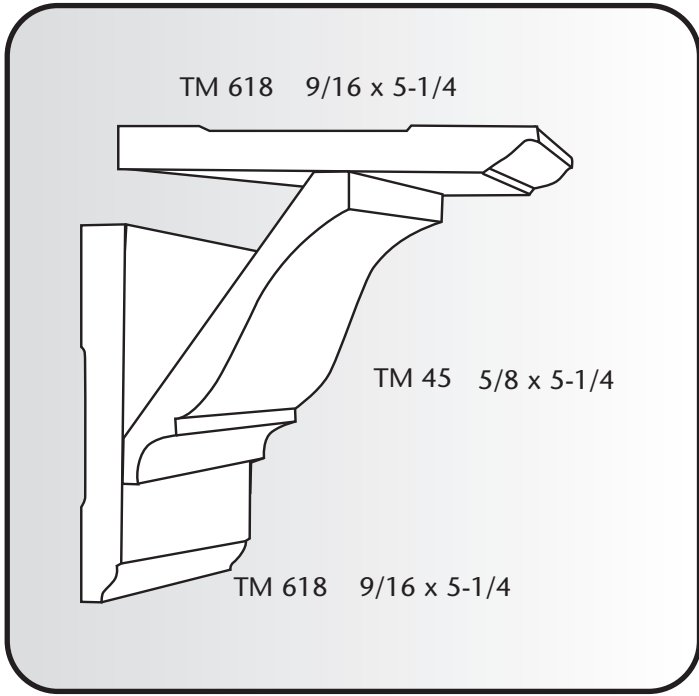
3-1/2 FLAT JAMBS W/SHEETROCK KERF	82-1/4"	86-1/4"	98-1/4"
FJ RAW	X		X
4-5/8 FLAT JAMBS	82-1/4"	86-1/4"	98-1/4"
FJ RAW	X		X
FJ PRIMED	X		
KNOTTY ALDER	X		X
HEMLOCK SOLID	X		
HEMLOCK VENEER	X		
SOLID PINE	X		
OAK VENEER-LUAN Substrate	X		
MDF MEDITE PRIMED	X		
4-7/8 FLAT JAMBS	82-1/4"	86-1/4"	98-1/4"
FJ RAW	X		X
HEMLOCK SOLID	X	X	
OAK VENEER-LUAN Substrate	X		
SOLID PINE			X
KNOTTY ALDER	X		X
5-1/4 FLAT JAMBS	82-1/4"	86-1/4"	
FJ RAW	X		
HEMLOCK SOLID	X		
6-5/8 FLAT JAMBS	82-1/4"	86-1/4"	98-1/4"
FJ RAW	X	X	X
HEMLOCK SOLID	X		X
KNOTTY ALDER	X		X
SOLID PINE	X		
7-1/4 FLAT JAMBS	82-1/4"	86-1/4"	98-1/4"
FJ RAW	X		
HEMLOCK SOLID	X	X	
KNOTTY ALDER			X

1-1/4 X 4-5/8 EXTERIOR FRAMES	81-5/8"	82-1/2"	84"	87-1/2"	97-5/8"	99"
FJ RAW BLANK		X				
HEMLOCK SOLID SCSK		X				
FJ PRIMED BLANK	X				X	
KNOTTY ALDER SK			X			
1-1/4 X 4-3/4 EXTERIOR FRAMES	81-5/8"	82-1/2"	84"	87-1/2"	97-5/8"	99"
FJ RAW SCSK		X				
1-1/4 X 4-7/8 EXTERIOR FRAMES	81-5/8"	82-1/2"	84"	87-1/2"	97-5/8"	99"
FJ RAW BLANK				X		
1-1/4 X 5-1/4 EXTERIOR FRAMES	81-5/8"	82-1/2"	84"	87-1/2"	97-5/8"	99"
FJ RAW SCSK		X				
FJ RAW SK						X
FJ RAW BLANK		X				X
HEMLOCK SOLID SCSK		X				
HEMLOCK SOLID SK						X
HEMLOCK SOLID BLANK		X				
1-1/4 X 6-5/8 EXTERIOR FRAMES	81-5/8"	82-1/2"	84"	87-1/2"	97-5/8"	99"
FJ RAW SCSK		X				X
FJ PRIMED BLANK	X	X			X	
HEMLOCK SOLID SCSK		X				X
HEMLOCK SOLID BLANK		X				
KNOTTY ALDER SK			X			X
1-1/4 X 7-1/4 EXTERIOR FRAMES (2-1/4" Thick Doors)	81-5/8"	82-1/2"	84"	87-1/2"	97-5/8"	99"
KNOTTY ALDER SK						X
1-1/4 X 7-1/4 EXTERIOR FRAMES	81-5/8"	82-1/2"	84"	87-1/2"	97-5/8"	99"
FJ RAW SCSK		X				
FJ RAW SK						X
FJ RAW BLANK		X				
HEMLOCK SOLID SCSK		X				
HEMLOCK SOLID SK						X
HEMLOCK SOLID BLANK						X
KNOTTY ALDER SK						X
1-1/4 X 8-1/2 EXTERIOR FRAMES	81-5/8"	82-1/2"	84"	87-1/2"	97-5/8"	99"
FJ RAW SK				X		X
HEMLOCK SOLID SK						X
KNOTTY ALDER SK						X

\* SCSK = Sill Cut/Saw Kerf  
 SK = Saw Kerf  
 FJP = Finger Joint Prime

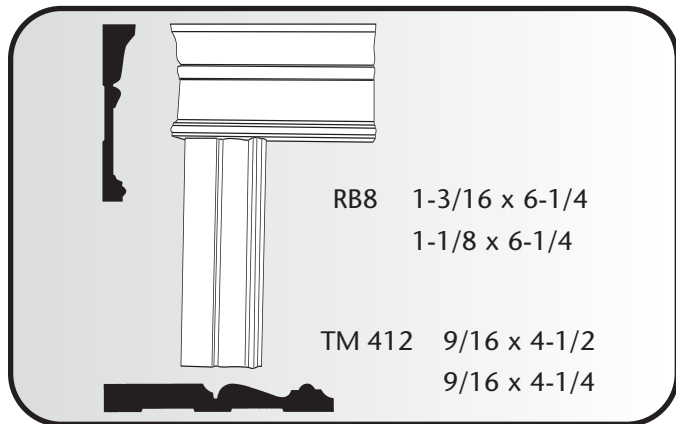
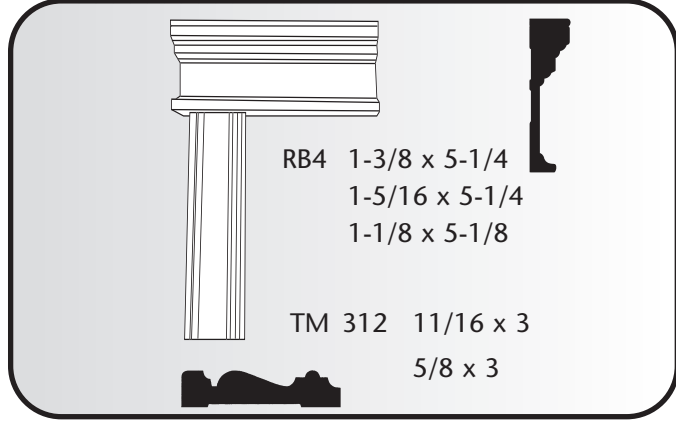
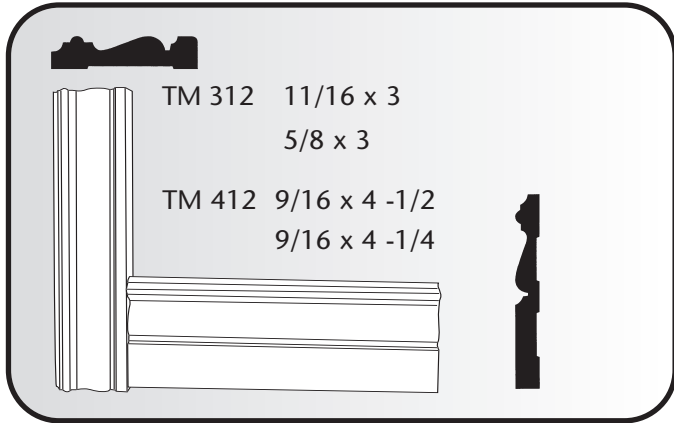
# CUSTOM BUILD-UPS

## MOUNTAIN HERITAGE

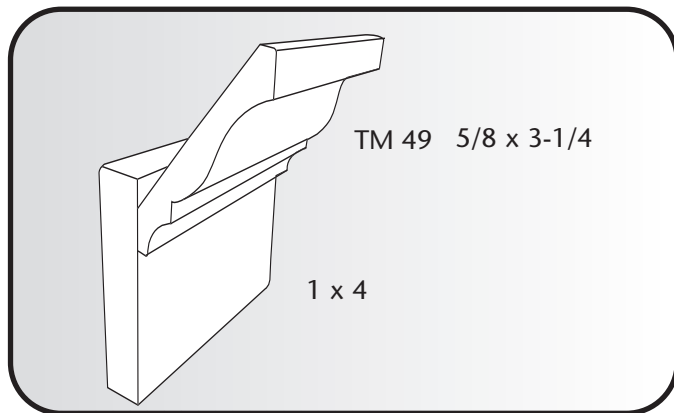
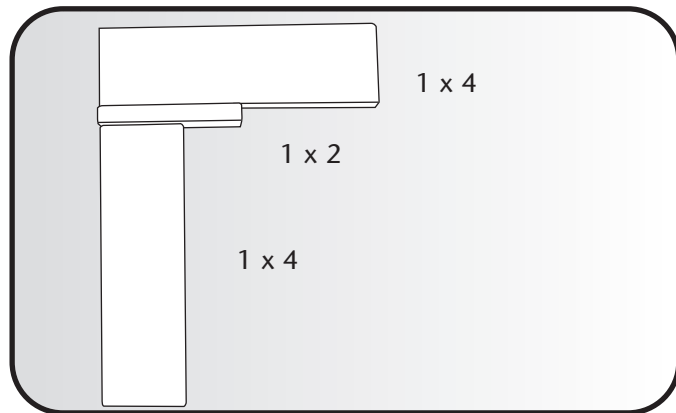
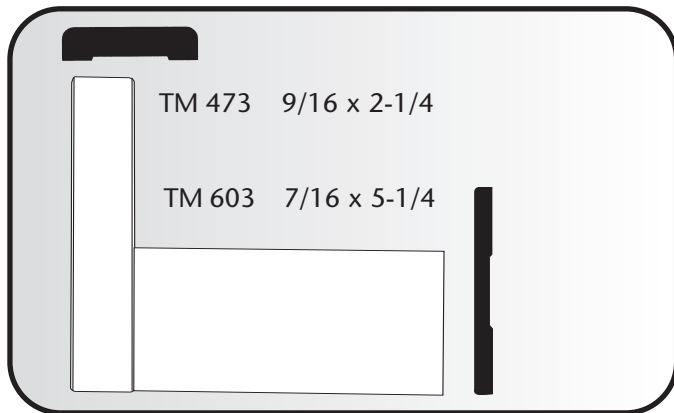


# CUSTOM BUILD-UPS

## MODERN COLONIAL



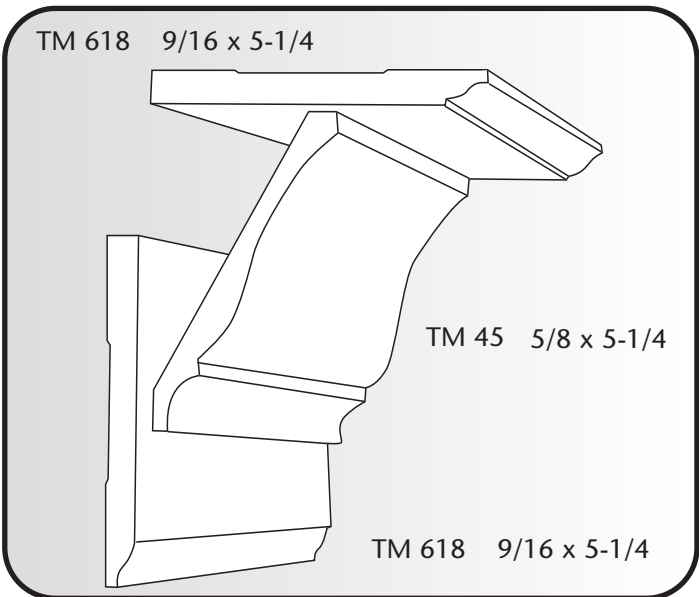
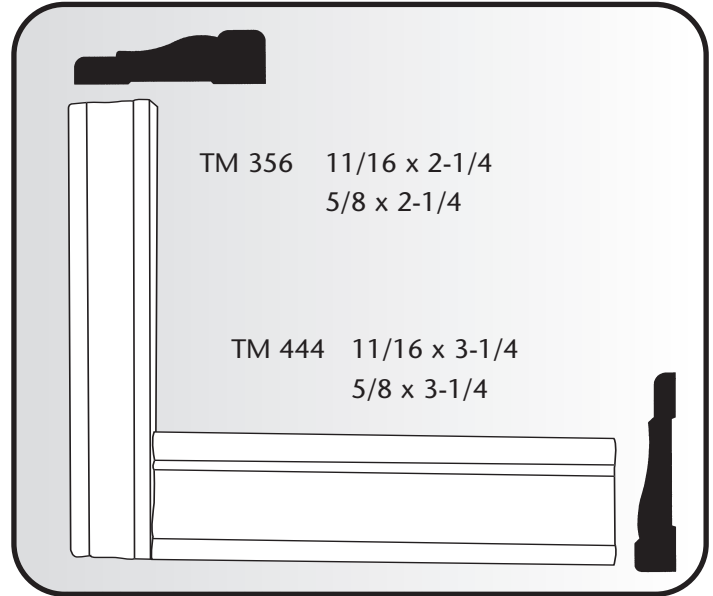
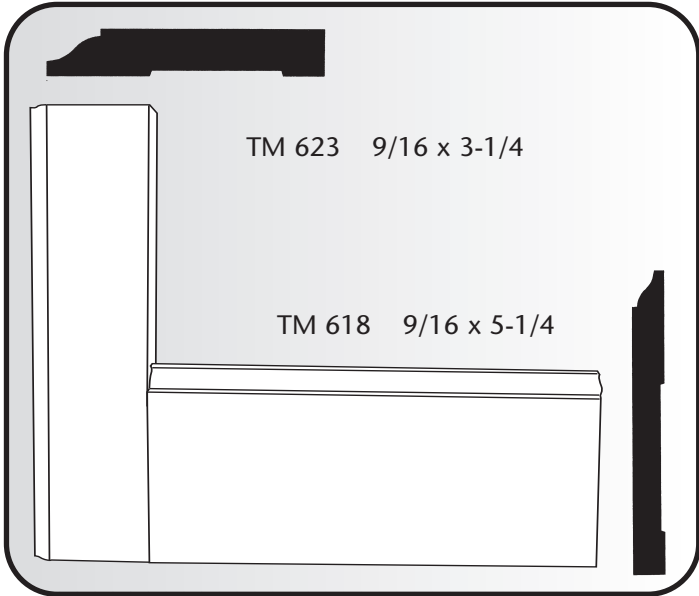
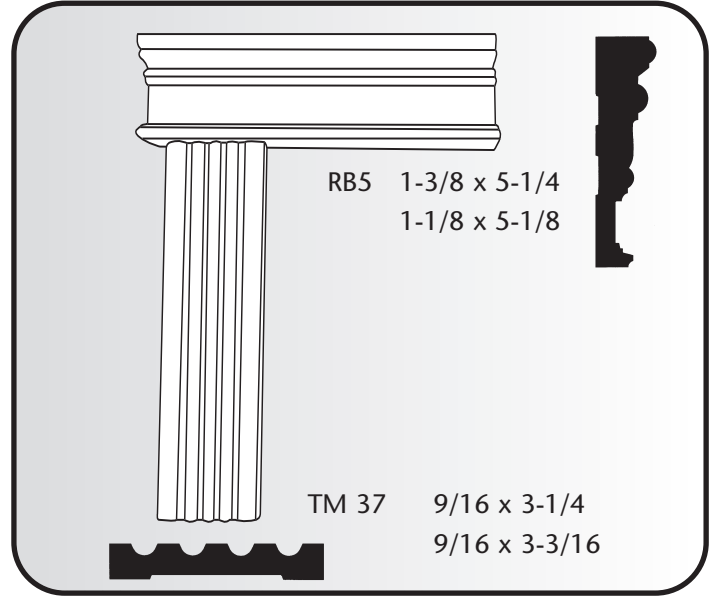
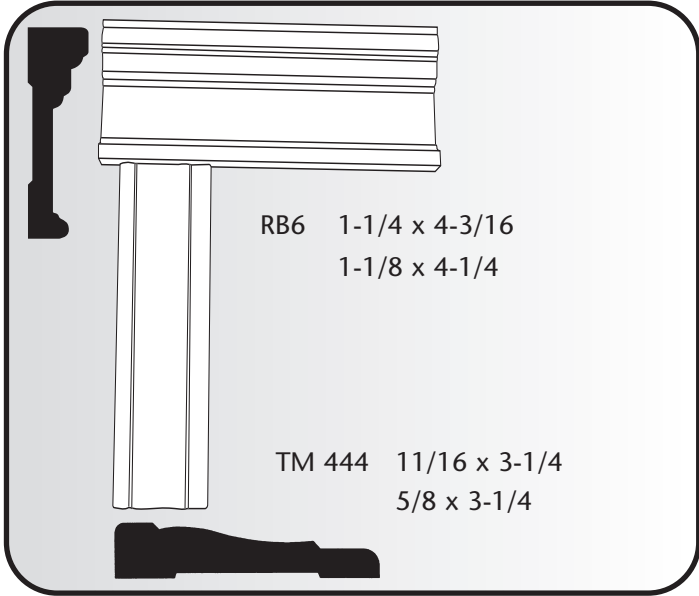
## CRAFTSMAN





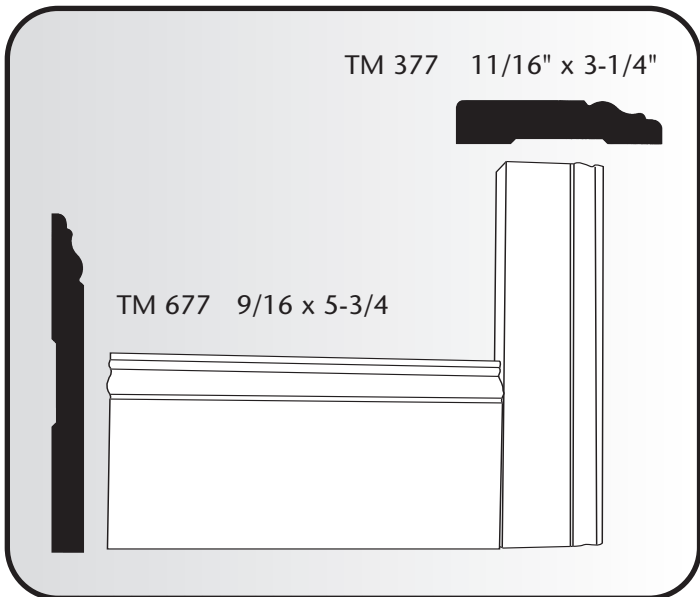
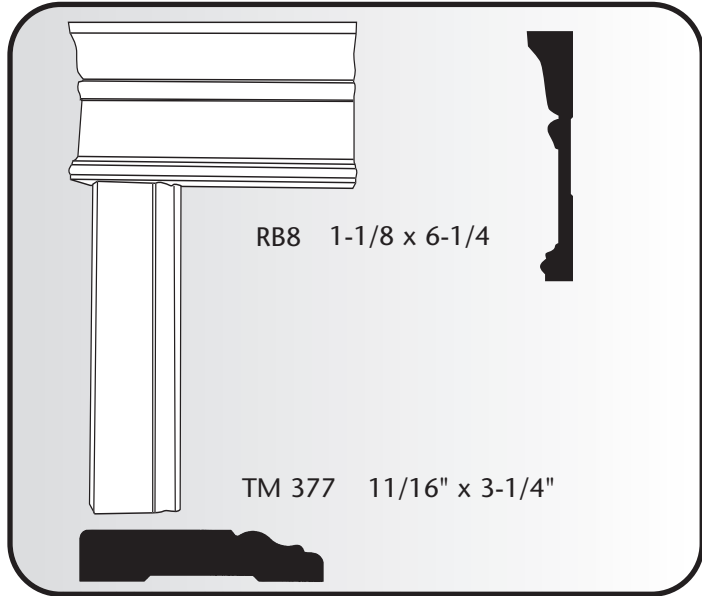
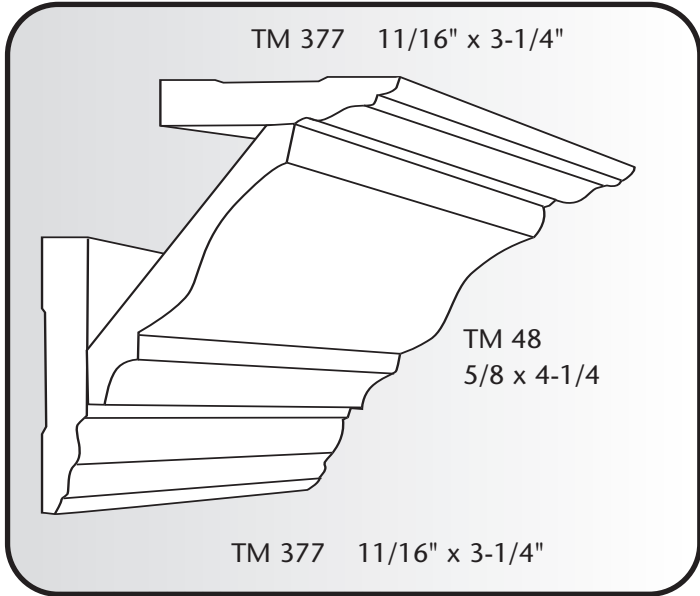
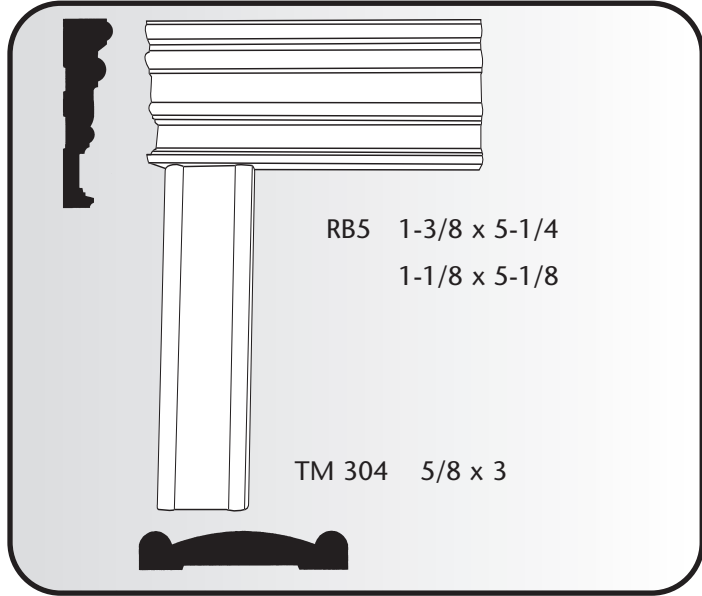
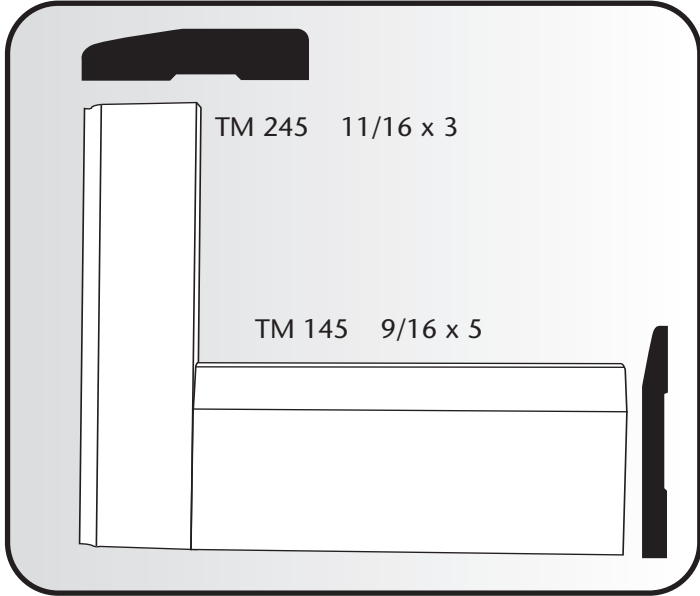
# CUSTOM BUILD-UPS

## CLASSIC COLONIAL



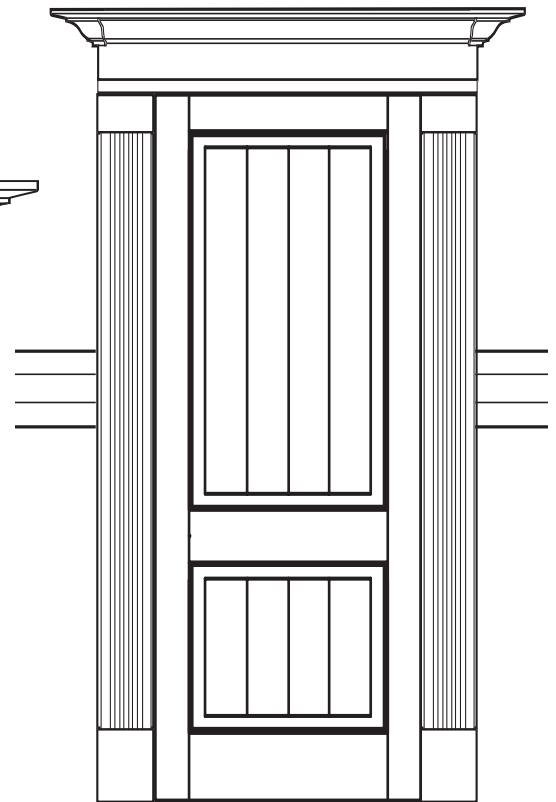
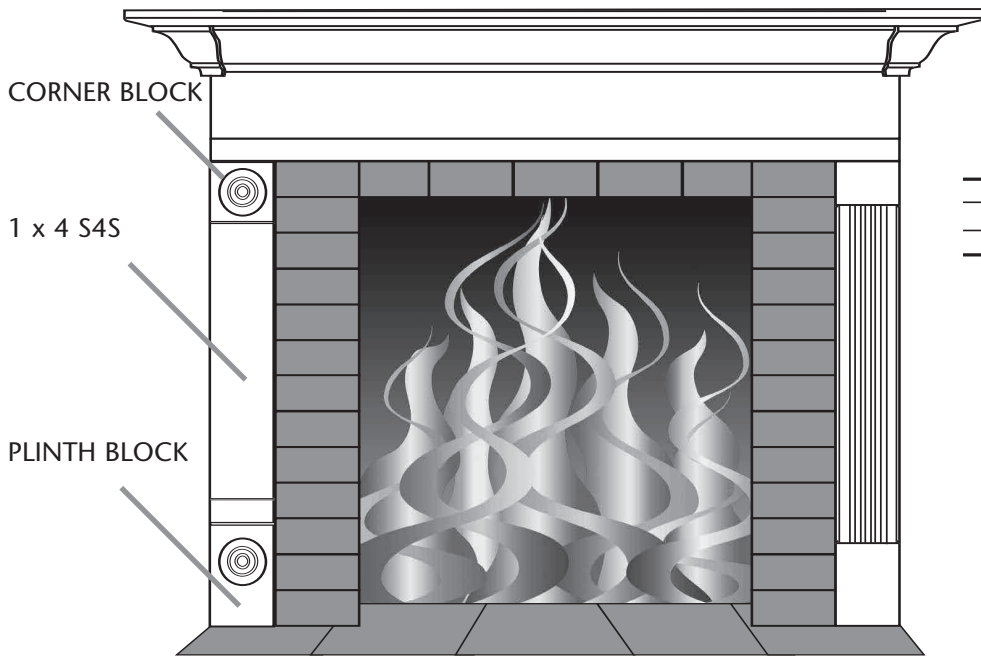
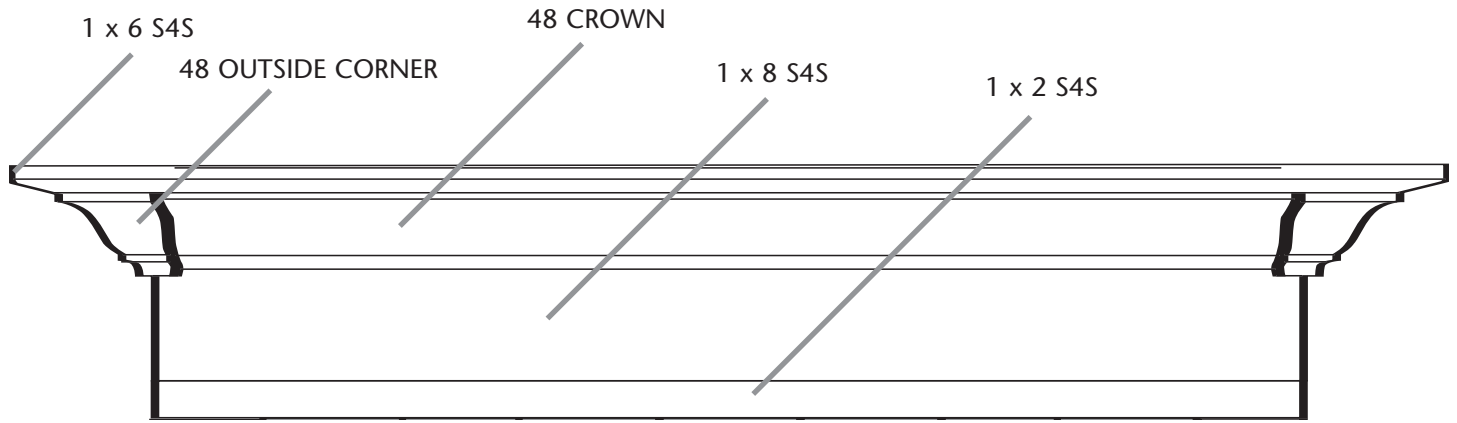
# CUSTOM BUILD-UPS

## CONTEMPORARY



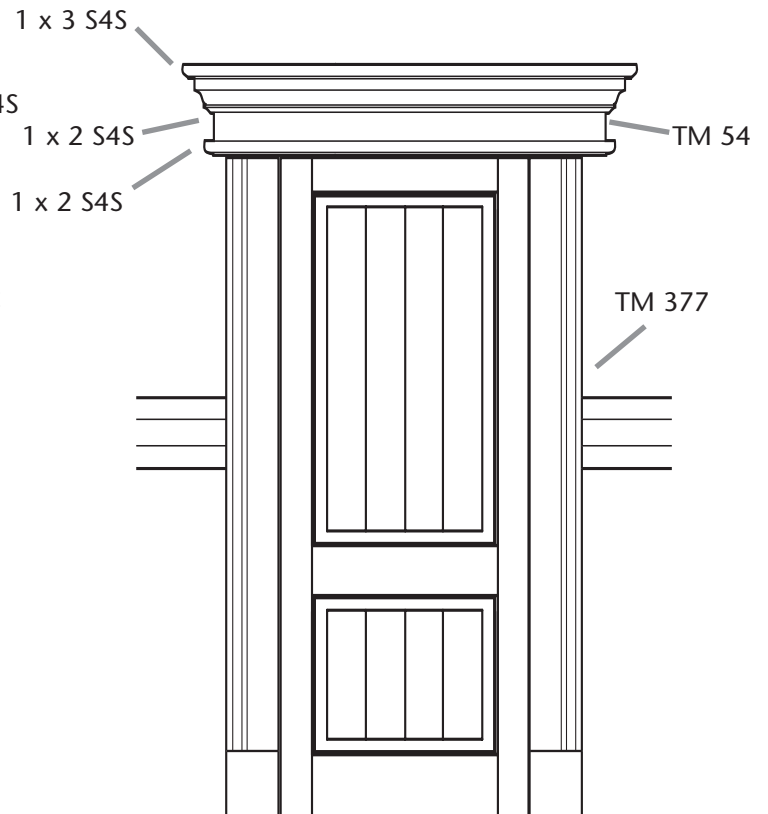
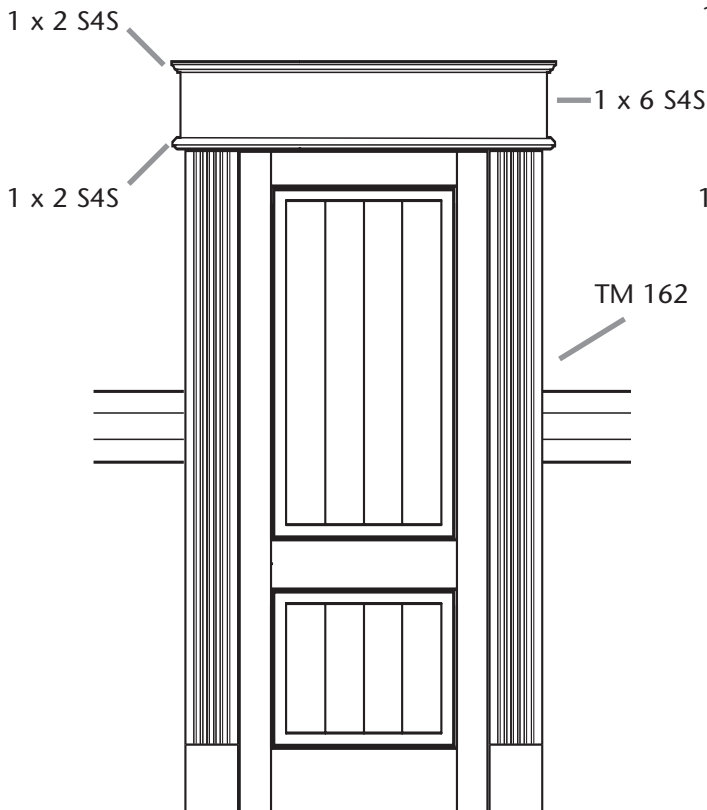
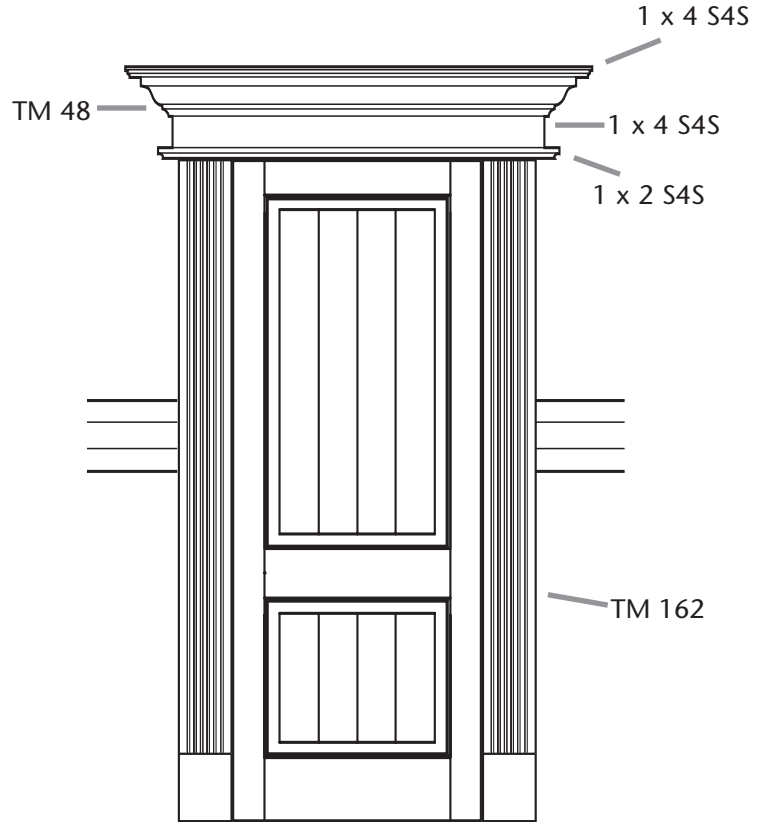
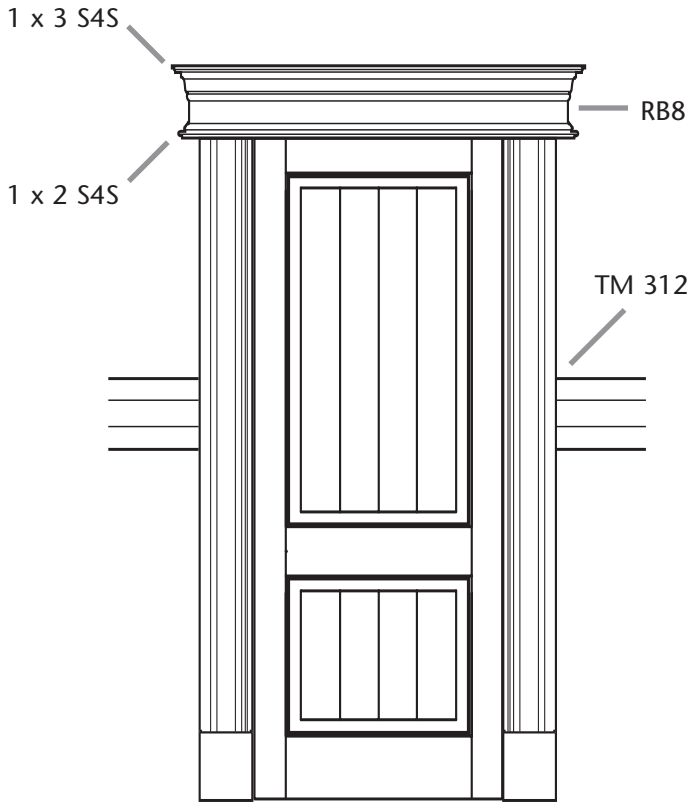
# CUSTOM BUILD-UPS

## PRE-MANUFACTURED CROWN CORNER BUILD-UPS



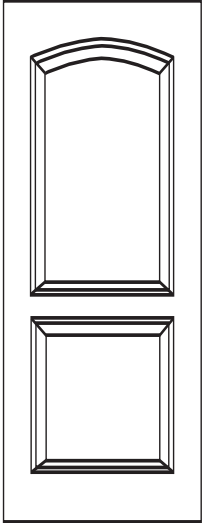
# CUSTOM BUILD-UPS

## CUSTOM BUILD-UPS

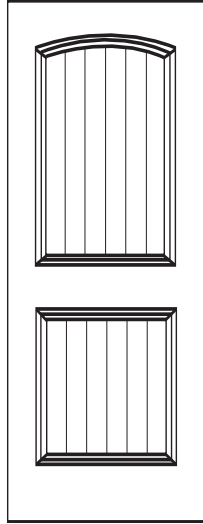


# DOORS

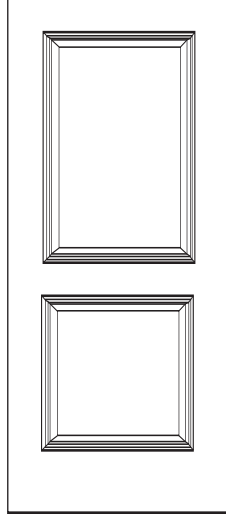
## LYNDEN INTERIOR DOOR STYLES



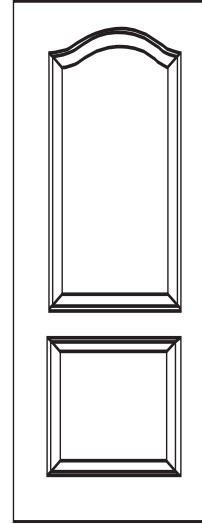
**ROSARIO® (CAIMAN®)**  
SMOOTH



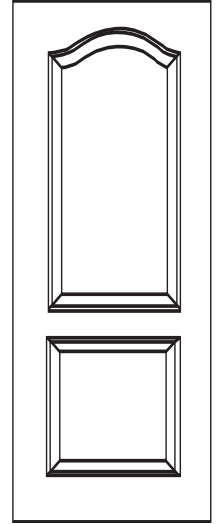
**LOPEZ® (CASHAL®)**  
SMOOTH



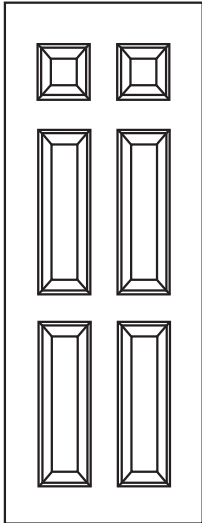
**KINGSTON® (CARRARA®)**  
SMOOTH



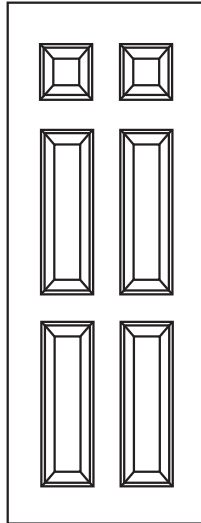
**BLAKELY® (CLASSIQUE®)**  
TEXTURED



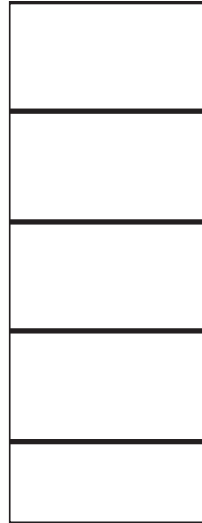
**SAMISH® (CREMONA®)**  
SMOOTH



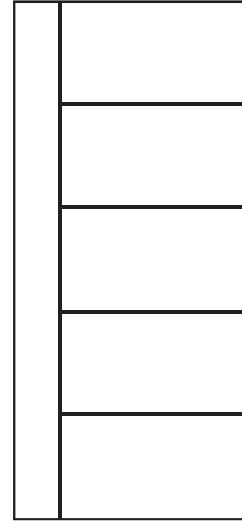
**COLUMBIA® (COLONIST®)**  
SMOOTH



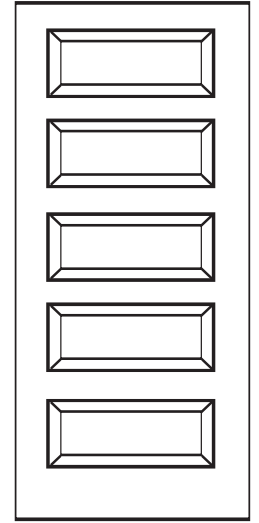
**BONNEVILLE® (COLONIST®)**  
TEXTURED



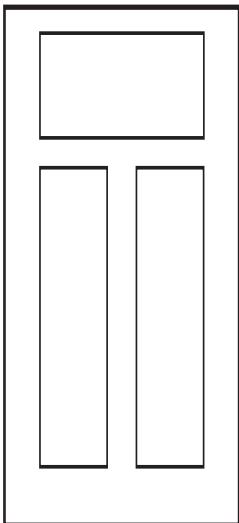
**DENMAN®**  
SMOOTH



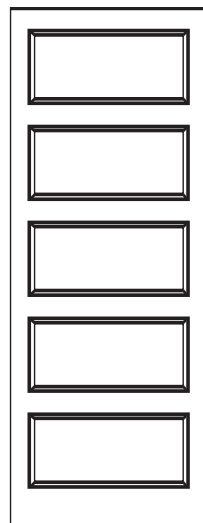
**ALKI®**  
SMOOTH



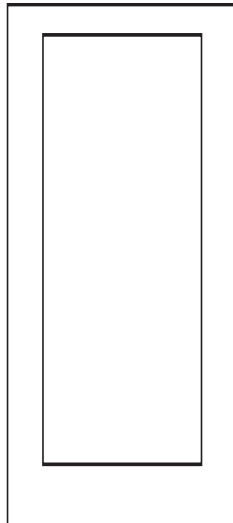
**BENTON®**  
SMOOTH



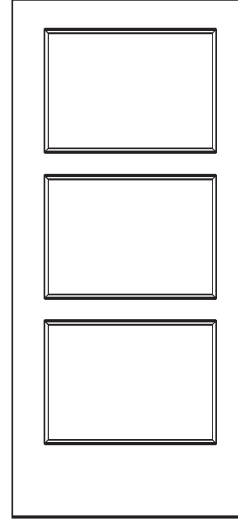
**YARROW® (CRAFTSMAN®)**  
SMOOTH



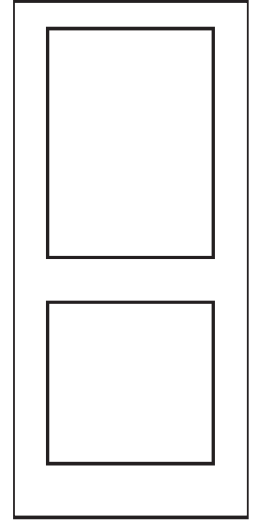
**WINTHROP® (CONMORE®)**  
SMOOTH



**MERCER® (MADISON®)**  
SMOOTH



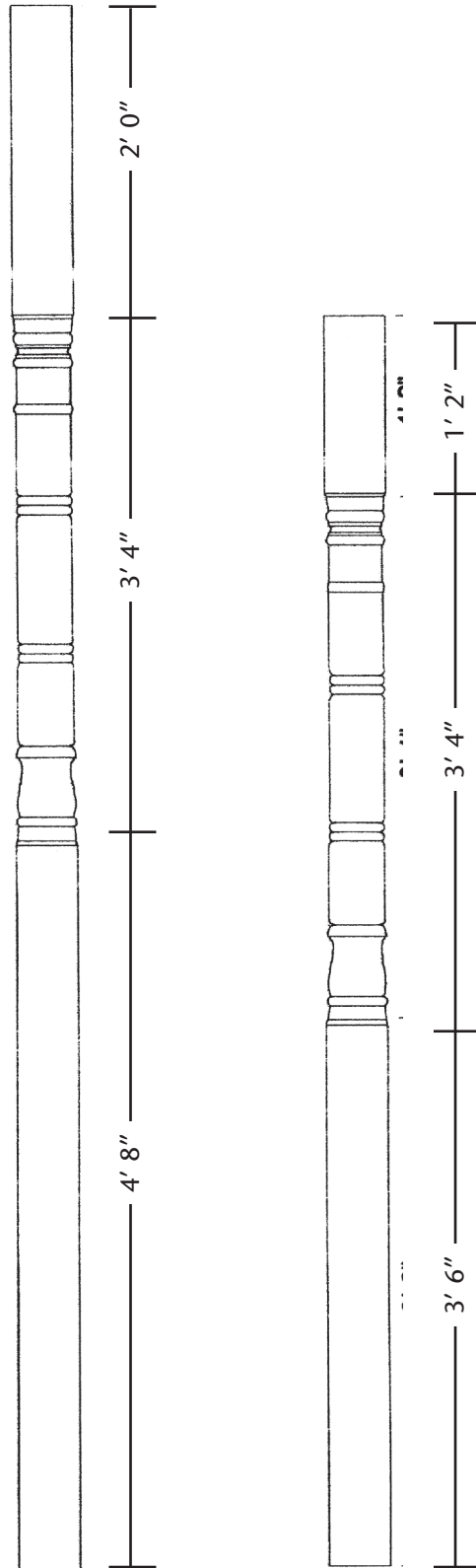
**ABERDEEN®**  
SMOOTH



**WHITMAN®**  
SMOOTH

# PORCH POSTS

# PORCH POSTS



Paint Grade Wood  
Porch Posts

- 4" x 4" x 8' Colonial
- 4" x 4" x 10' Colonial
- 5" x 5" x 8' Colonial
- 5" x 5" x 10' Colonial
- 6" x 6" x 8' Colonial
- 6" x 6" x 10' Colonial

NET SIZES:  
 4" = 3-1/4"  
 5" = 4-1/4"  
 6" = 5-1/4"

LOAD BEARING CAPACITY  
 4" = 3,000 lbs.  
 5" = 6,000 lbs.  
 6" = 7,500 lbs.

INSTALLATION—After cutting the post to desired length, apply a waterproof sealer and prime coat on all exposed areas. Especially on the ends.

## GENERAL REQUIREMENTS

---

**GRADE** Wood mouldings are available in two grades. "N Grade" is intended for natural or clear finishes and the exposed face must be of one single piece. "P Grade" is intended for opaque paint finishes or overlays and can be finger jointed and or edge glued.

These grades may have a few minor characteristics such as light checks, small pitch pockets, light torn grain, occasional medium stain or a small amount of medium pitch. A serious combination of these is not admissible in any one piece. The number and extent of characteristics permitted varies as the area of the piece increases or diminishes.

**N-GRADE** (suitable for natural, stain, paint, or enamel finish). On the basis of net 2" face–12' long this grade will admit the following characteristics or their equivalent:

A. A small spot of torn grain, one foot of medium pitch, light skip in dressing on back, or B. One small and one very small pitch pocket, or C. One short, tight season check and a light snipe at one end, or D. Medium stain in occasional (10%) pieces for one third the area in an otherwise perfect piece.

Characteristics that will not show when piece is laid shall not be given the same consideration as characteristics elsewhere.

**P–GRADE** (paint or overlay grade) The same quality as N-Grade except stain is no defect. Glue joints (laminated or finger joints) must be precision machined and assembled with tight joints. Patching, filling or plugging is permitted providing a paintable surface results.

**LENGTHS** Random lengths shall be 3 to 20 feet in multiples of one foot. Not over 15% of any one item shall be under 8 feet. When computing the percentage of shorts in casing and stops, pieces 7' in length will be considered long lengths.

Specified lengths of cut to length window and door trim shall be graded as completely usable.

Finger and/or laminated jointed mouldings may be ordered in specified lengths with not over 15% trim backs permitted in any one item.

**Specified Lengths** We reserve the option to charge a 25% premium on specified lengths of items normally sold on a random length basis. This policy applies mostly to Solid Pine, Oak and Hemlock mouldings.

**ADHESIVES** Adhesives used in finger joints or laminations shall meet the dry used adhesive performance requirements of ASTM D-3110-82 (or latest revision) "Standard Specification for Adhesives Used in Non-Structural Glued Lumber Products."

In situations where a Wet-Use adhesive is required, it shall be so specified, acknowledged and invoiced.

**BUNDLING** shall be in accordance with the Standard Wood Moulding and Millwork Producers Association Schedule.

**MANUFACTURING TOLERANCES** Thickness and width + or - 1/32"

**DEFINITIONS** Definitions of characteristics permitted in wood mouldings shall be those of the National Grading Rules for softwood lumber.

**Settlement Provisions** In determining compliance with purchase specifications and of effecting settlement of invoices between buyers and sellers, each item of a shipment shall be considered as of the grade invoiced if upon re-inspection 95% thereof or more is found to be of said grade or better.



## Green's the Thing

---

At Trimco Millwork, we're not just trying to conserve energy and reduce our own carbon footprint, we're taking green to the next level by offering the finest, environmentally responsible building materials available. We offer a wide range of products that are made from recycled materials or are recyclable, as well as products from manufacturers that support the green initiatives of the organizations you see on this page. We are constantly searching for and adding high quality, green products to our inventory.

## Go Green

---

To make it easier for our customers to find greener building materials we have developed GO GREEN, a selection of products that are easier on the earth through their manufacture, performance or use. Our GO GREEN offerings can help you meet your green product requirements.

## Building Green With Trimco

---

The products listed below are a sample of the Go Green products we offer at Trimco Millwork:

### MOULDING

Masisa/Metrie - MDF

Fred Tebb & Sons - Knotty Alder

Ferche - Oak

Sierra Pacific - Frames

Brightwood - Hemlock, Solid Pine,  
& Finger Joint

### DOORS

Therma Tru - Doors

Lynden Doors - Interior Doors

### WOODGRAIN DOOR

### SIMPSON DOOR

### SIMPSON STRONG TIE



For more information about GO GREEN products contact us at



1835 Commerce Ave.  
Boise, ID 83705

Phone: 208-336-9000 • Fax: 208-384-1658  
Toll Free: 1-800-733-0312

A Division of Hoff Companies, Inc.



# OTHER PRODUCTS FROM TRIMCO



THE ULTIMATE FLOORING EXPERIENCE

